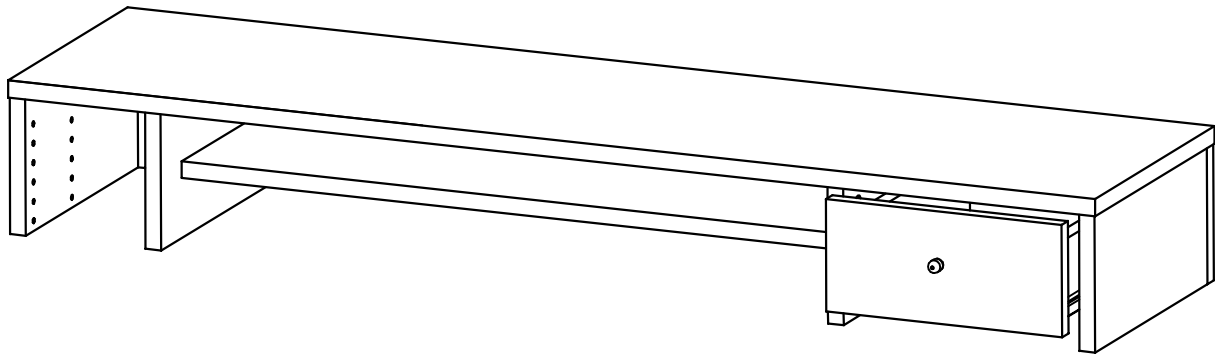


**alphason**

What's in the box, instructions, warranty & information:

**AW6324-H**



Need help or advice? Missing/damaged parts?  
Contact us directly on:

**Helpline ☎ 0845 130 6686**

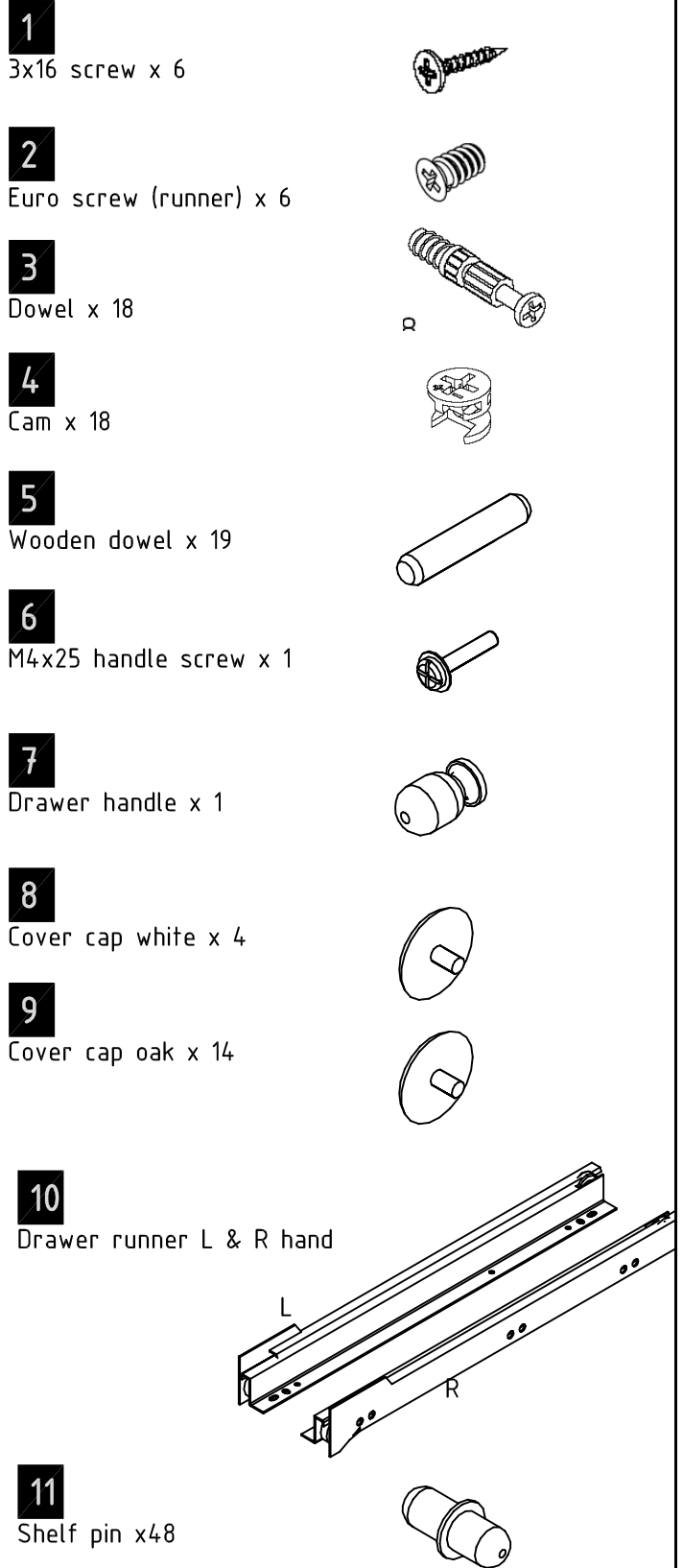
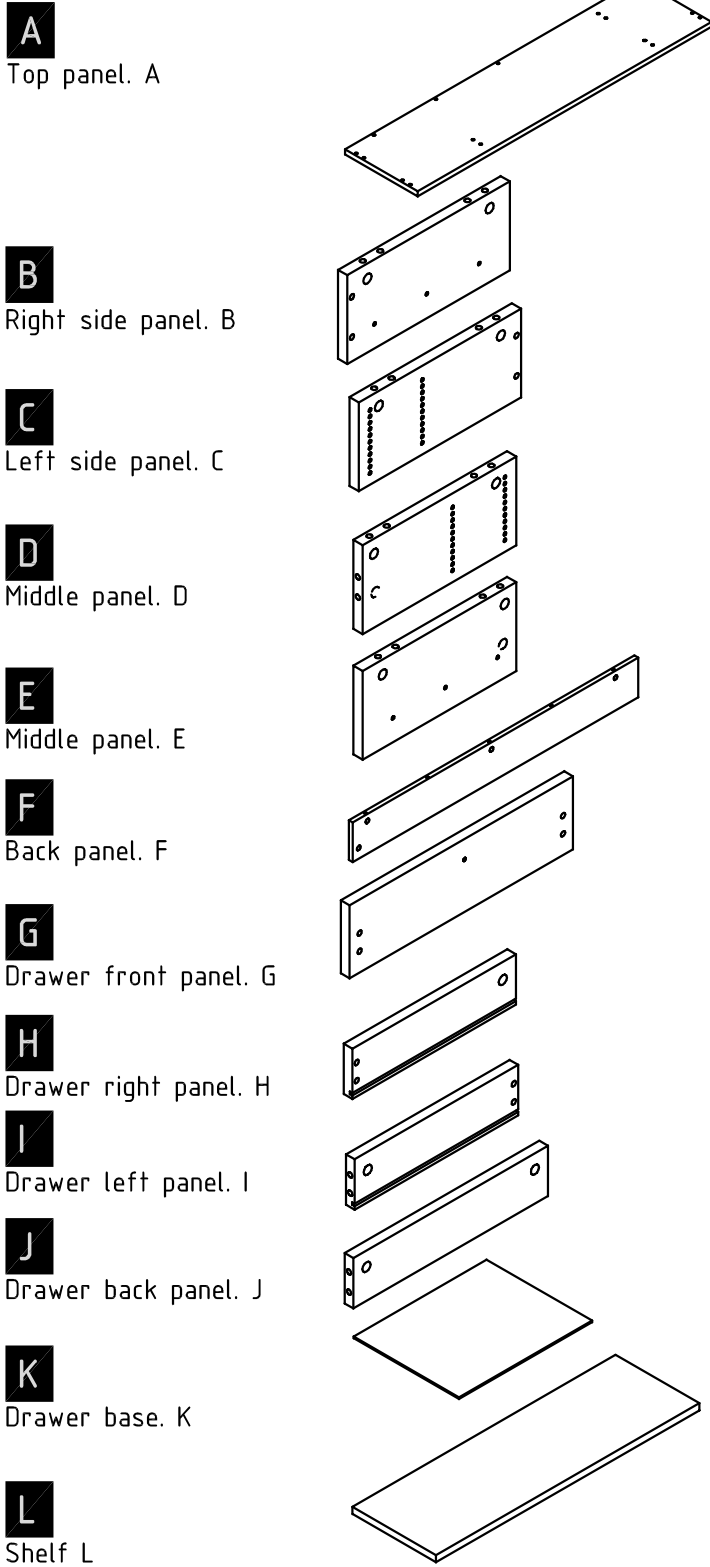
International Helpline (English speaking): +44 1942 524 100



Interested in more Alphason products? Visit our website at:  
[www.alphasondesigns.com](http://www.alphasondesigns.com)



Have a question? Want more information? Email us on?  
[info@alphasondesigns.com](mailto:info@alphasondesigns.com)



Need help or advice? Missing/damaged parts?  
Contact us directly on:

**Helpline** ☎ **0845 130 6686**

International Helpline (English speaking): +44 1942 524 100



Interested in more Alphason products? Visit our website at:  
[www.alphasondesigns.com](http://www.alphasondesigns.com)



Have a question? Want more information? Email us on?  
[info@alphasondesigns.com](mailto:info@alphasondesigns.com)

