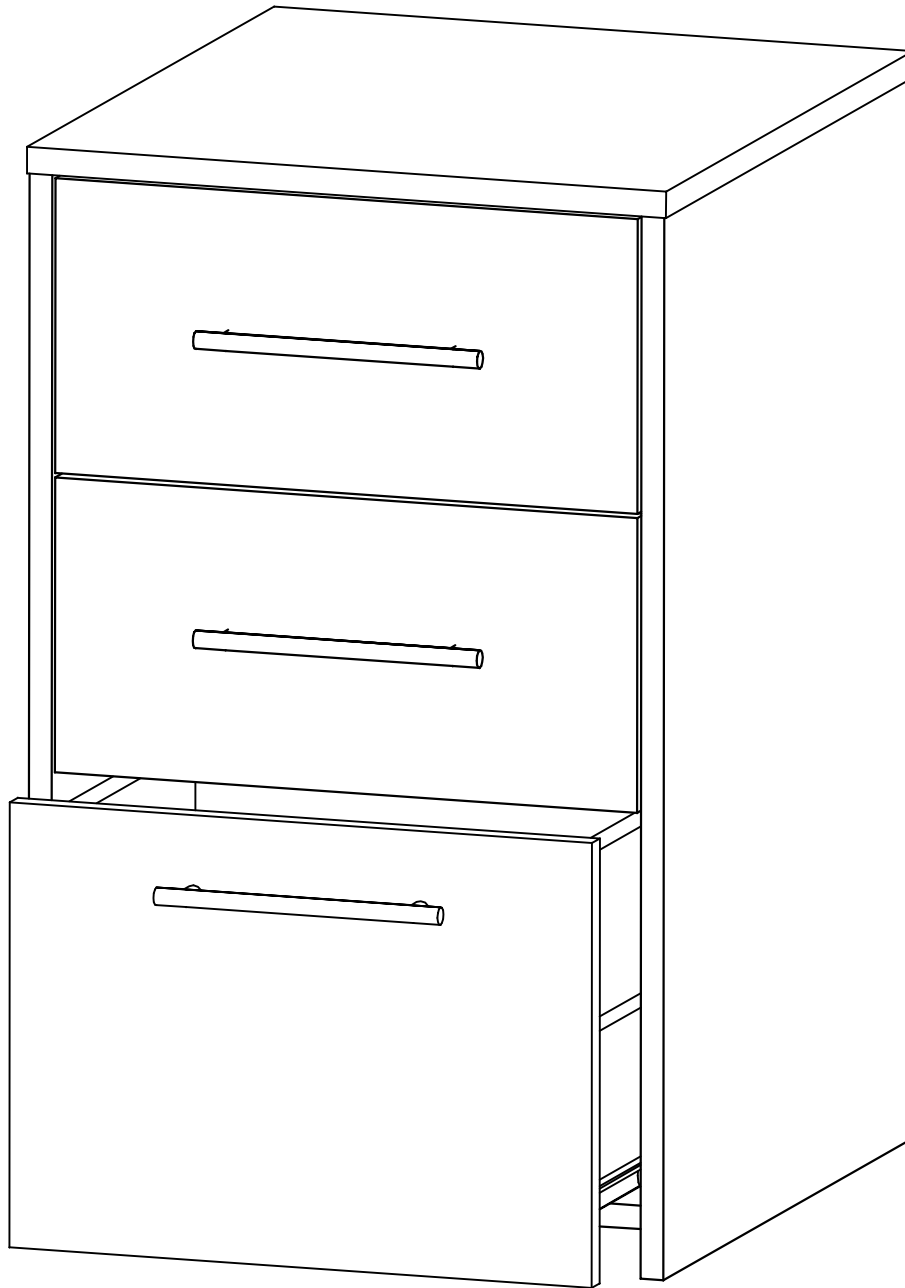


alphason

What's in the box, instructions, warranty & information:

AW6323-HP



Need help or advice? Missing/damaged parts?
Contact us directly on:

Helpline ☎ 0845 130 6686

International Helpline (English speaking): +44 1942 524 100



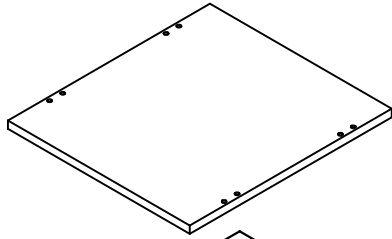
Interested in more Alphason products? Visit our website at:
www.alphasondesigns.com



Have a question? Want more information? Email us on:
info@alphasondesigns.com

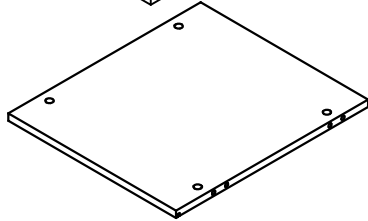
A

Top panel. A



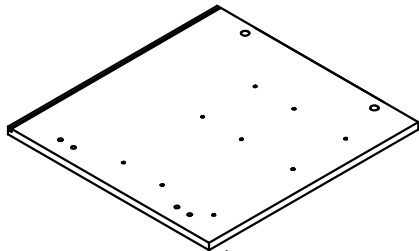
B

Base panel. B



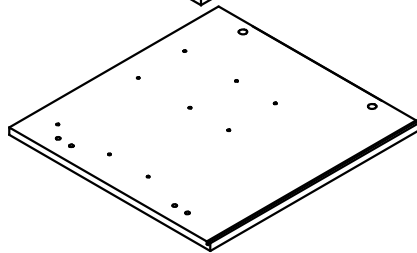
C

Right side panel. C



D

Left side panel. D



E

Drawer right panel. Ex3

F

Drawer left panel. Fx3

G

Small drawer back panel. Gx2

H

High drawer back panel H

I

High drawer front panel. I

J

Small drawer front panel. Jx2

K

Back panel. K

L

Drawer base. L x 3

7

Wooden dowel x 20

8

M4x25 handle screw x 6

9

Drawer mechanism x2

10

Drawer handle x 3

11

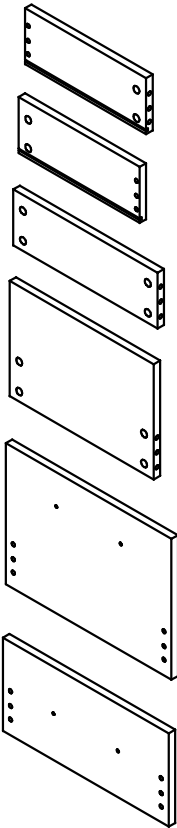
Dowel x 32

12

Side panel leg 13x4

13

Drawer runner L & R hand x 3



1

3x15 screw x 18



2

3,5x16 screw x 8



3

Euro screw (runner) x 18



4

Cover cap white x 24



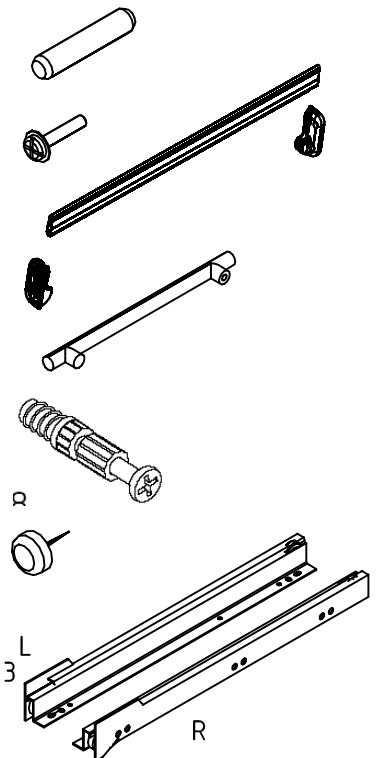
5

Cam x 32



6

Cam x 32



Need help or advice? Missing/damaged parts?

Contact us directly on:

Helpline ☎ **0845 130 6686**

International Helpline (English speaking): +44 1942 524 100



Interested in more Alphason products? Visit our website at:

www.alphasondesigns.com



Have a question? Want more information? Email us on?

info@alphasondesigns.com

