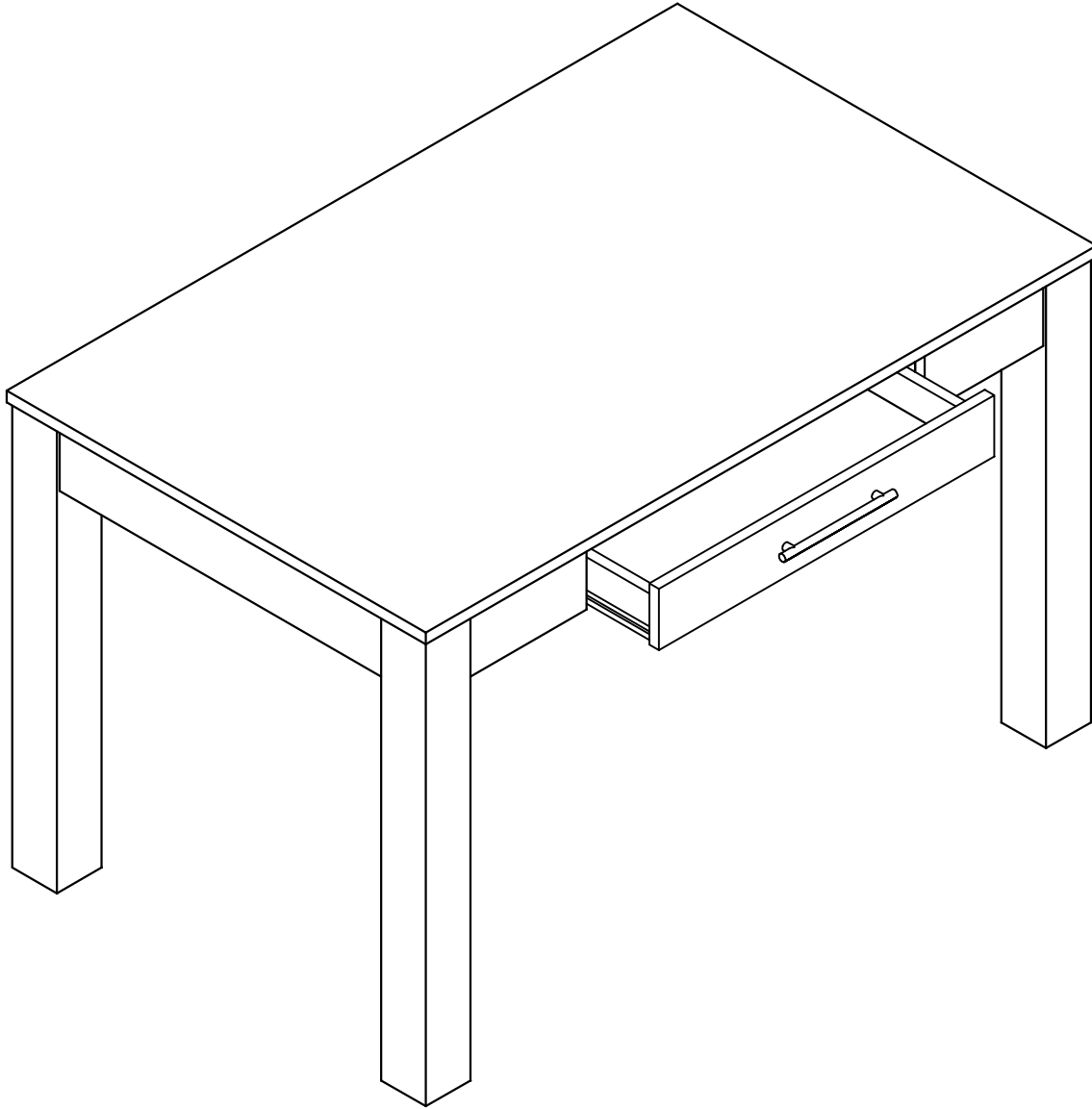


alphason

What's in the box, instructions, warranty & information:

AW23150



Need help or advice? Missing/damaged parts?
Contact us directly on:

Helpline  **0845 130 6686**

International Helpline (English speaking): +44 1942 524 100



Interested in more Alphason products? Visit our website at:
www.alphasondesigns.com



Have a question? Want more information? Email us on?
info@alphasondesigns.com

alphason

What's in the box:

AW23150

A

Top panel. A

B

Side panel Bx2

C

Back panel. C

D

Left side panel. D

E

Right side panel. E

F

Front Right panel. F

G

Front Left panel. G

H

Drawer front panel H

I

Drawer right panel. I

J

Drawer left panel. J

K

Drawer back panel. K

L

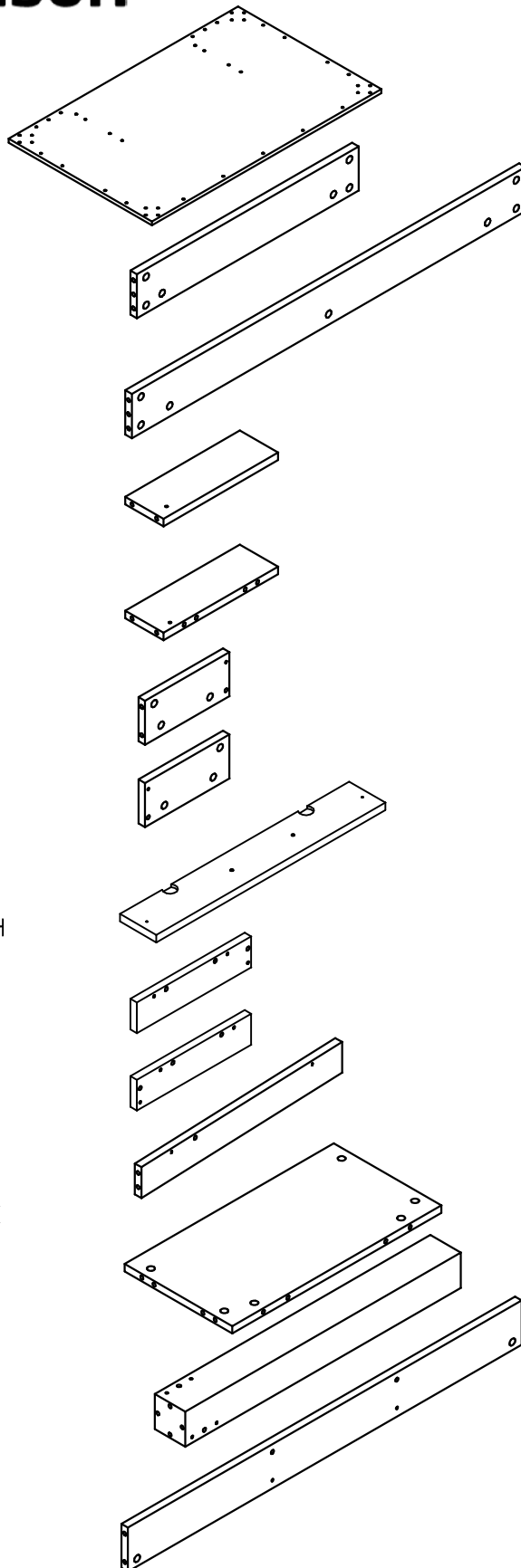
Drawer base. L

M

Leg Mx4

N

Support bar. N



1

3,5x16 screw x 6



2

2,5x12 screw x 12



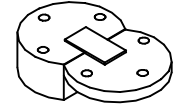
3

Euro screw (runner) x 6



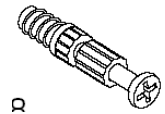
4

Drawer hinge x2



5

Dowel x 45



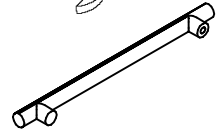
6

Cam x 45



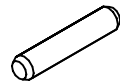
7

Drawer handle x 1



8

Wooden dowel x 50



9

M4x25 handle screw x 2



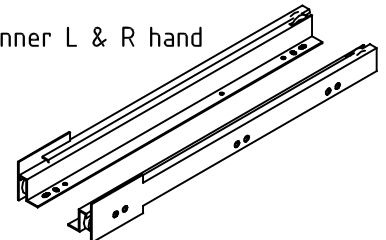
10

Drawer magnet x 2set



11

Drawer runner L & R hand



Need help or advice? Missing/damaged parts?
Contact us directly on:

Helpline ☎ **0845 130 6686**

International Helpline (English speaking): +44 1942 524 100



Interested in more Alphason products? Visit our website at:

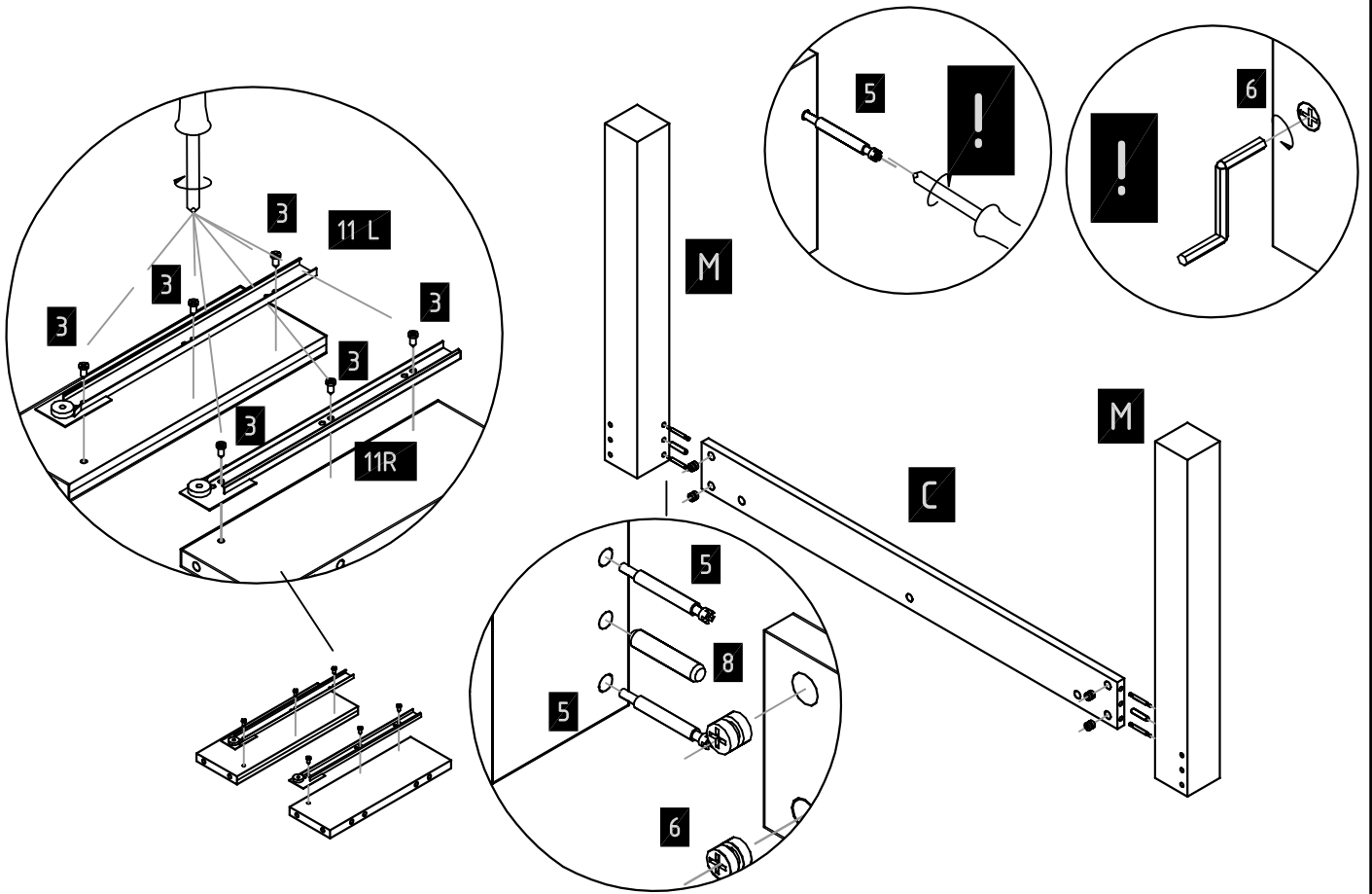
www.alphasondesigns.com



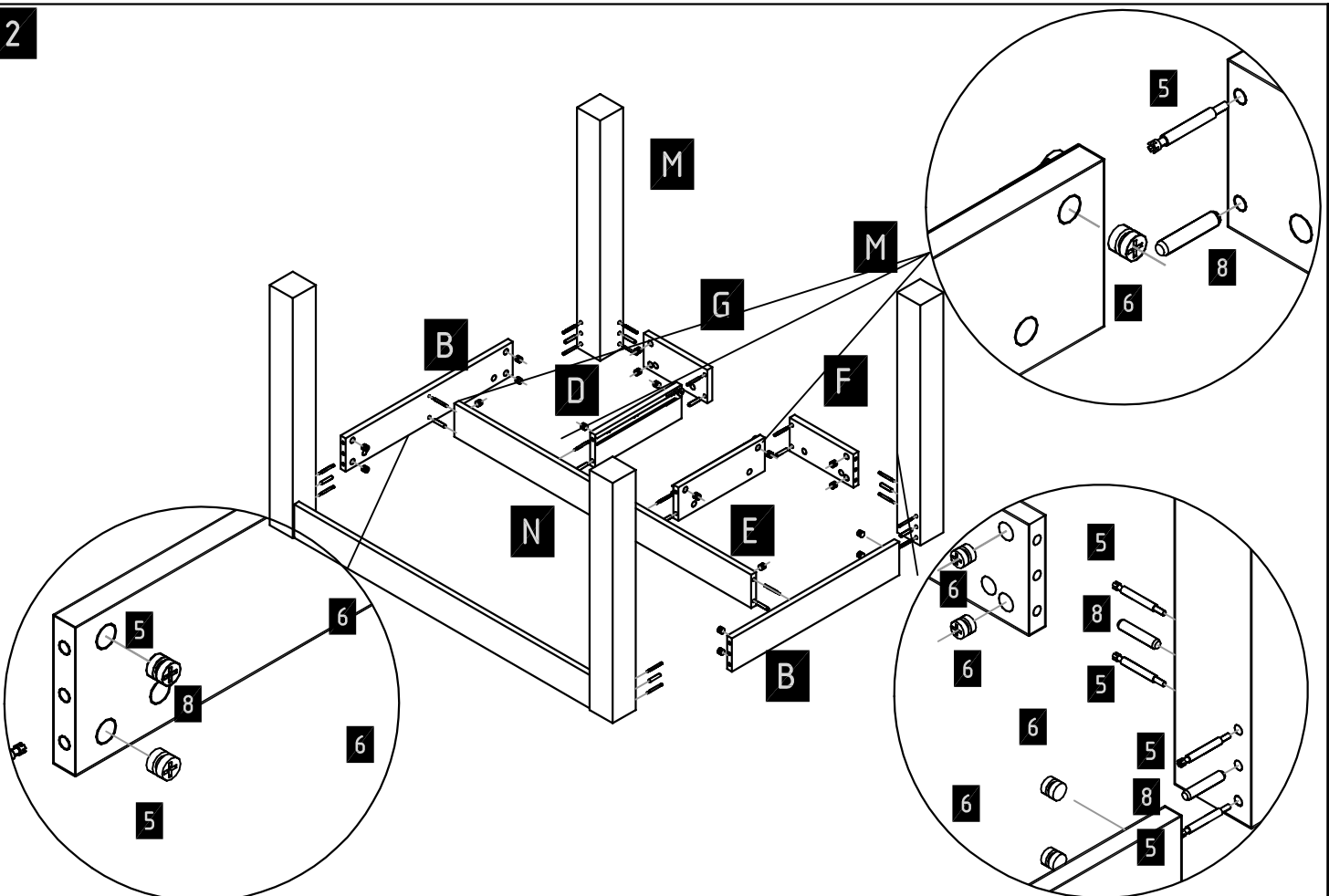
Have a question? Want more information? Email us on?

info@alphasondesigns.com

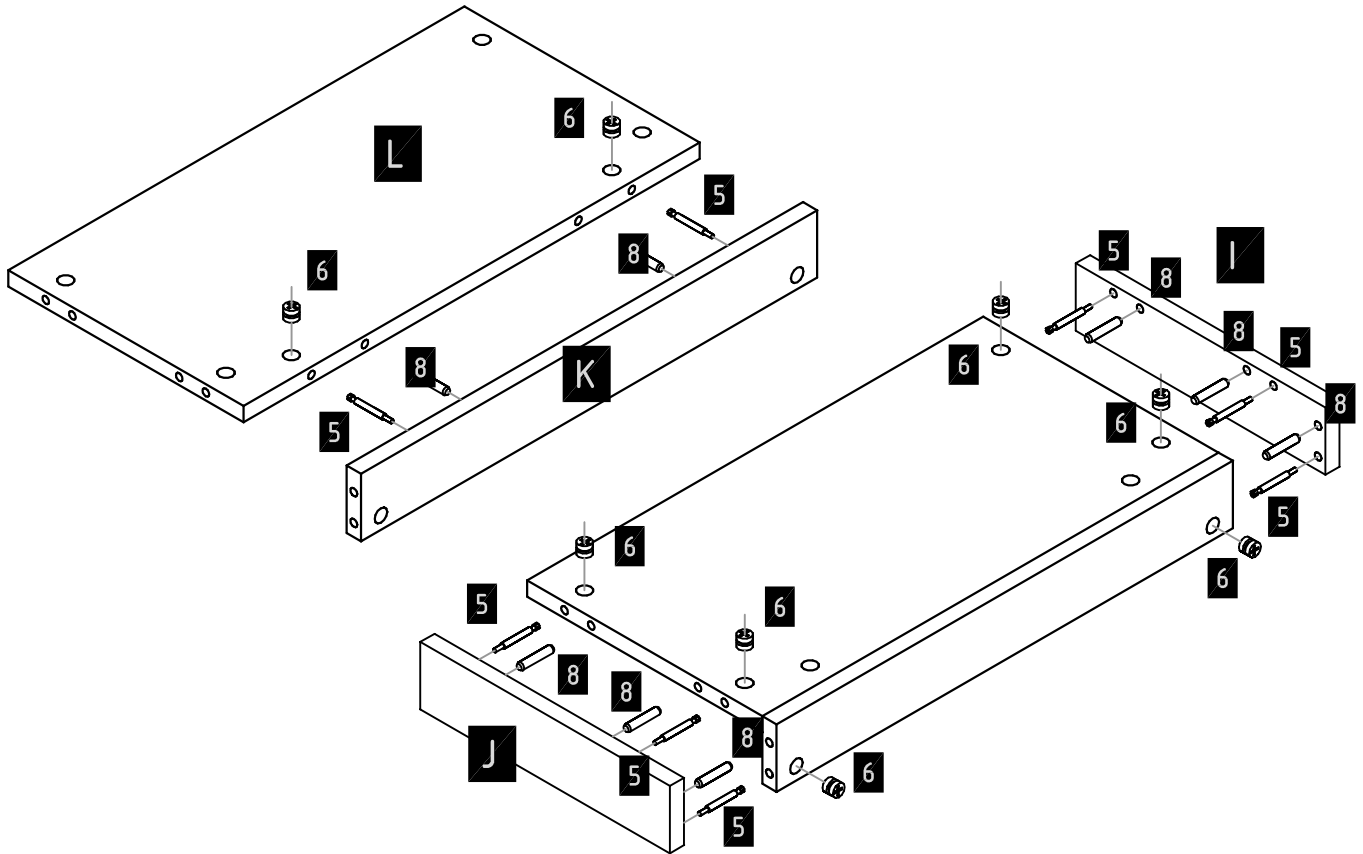
1



2



3



4

