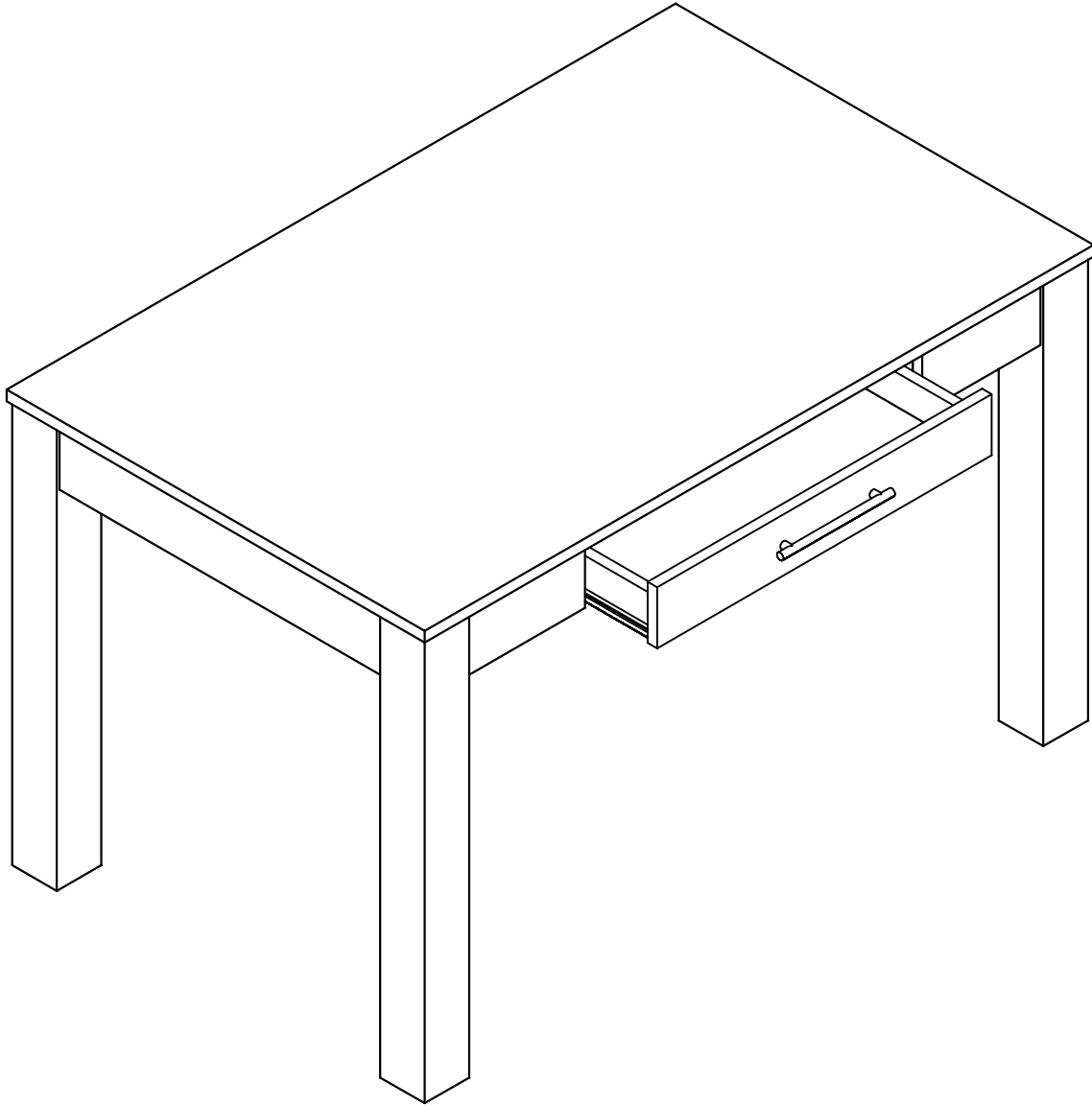


**alphason**

What's in the box, instructions, warranty & information:

**AW23120**



Need help or advice? Missing/damaged parts?  
Contact us directly on:

**Helpline** ☎ **0845 130 6686**

International Helpline (English speaking): +44 1942 524 100



Interested in more Alphason products? Visit our website at:  
[www.alphasondesigns.com](http://www.alphasondesigns.com)



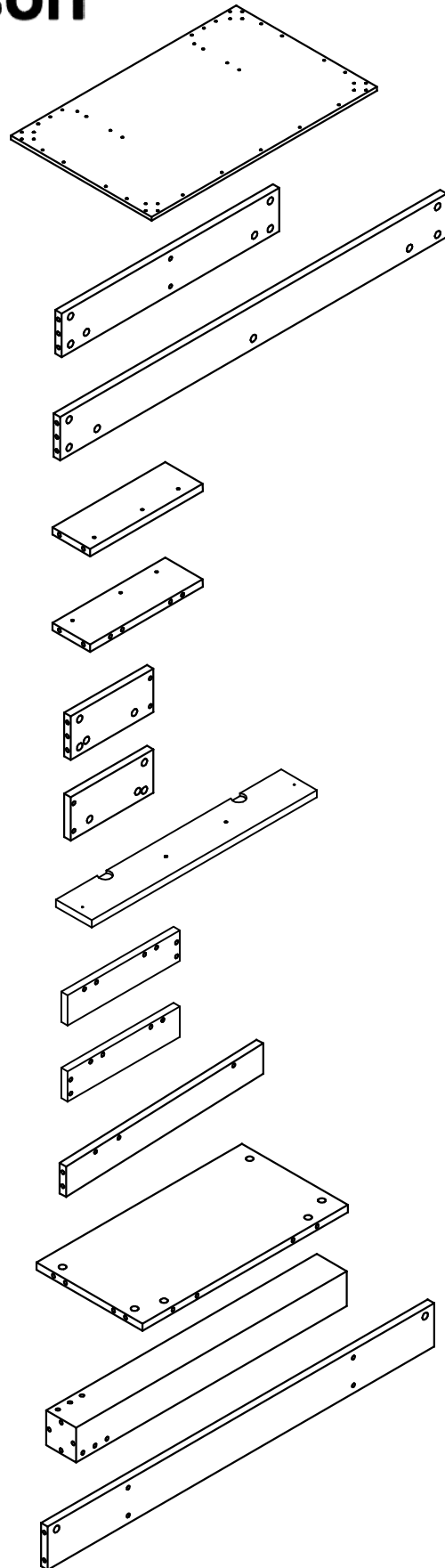
Have a question? Want more information? Email us on?  
[info@alphasondesigns.com](mailto:info@alphasondesigns.com)




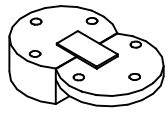
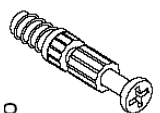
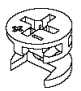
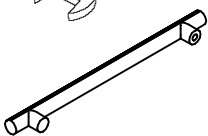
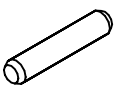


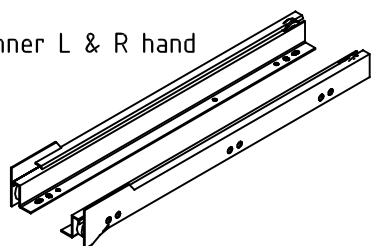
# alphason

What's in the box:

# AW23120

- A**  
Top panel. A
- B**  
Side panel Bx2
- C**  
Back panel. C
- D**  
Left side panel. D
- E**  
Right side panel. E
- F**  
Front Right panel. F
- G**  
Front Left panel. G
- H**  
Drawer front panel H
- I**  
Drawer right panel. I
- J**  
Drawer left panel. J
- K**  
Drawer back panel. K
- L**  
Drawer base. L
- M**  
Leg Mx4
- N**  
Support bar. N



- 1**  
3,5x16 screw x 6 
- 2**  
2,5x12 screw x 12 
- 3**  
Euro screw (runner) x 6 
- 4**  
Drawer hinge x2 
- 5**  
Dowel x 45 
- 6**  
Cam x 45 
- 7**  
Drawer handle x 1 
- 8**  
Wooden dowel x 50 
- 9**  
M4x25 handle screw x 2 
- 10**  
Drawer magnet x 2 
- 11**  
Drawer runner L & R hand 



Need help or advice? Missing/damaged parts?  
Contact us directly on:

**Helpline** ☎ **0845 130 6686**

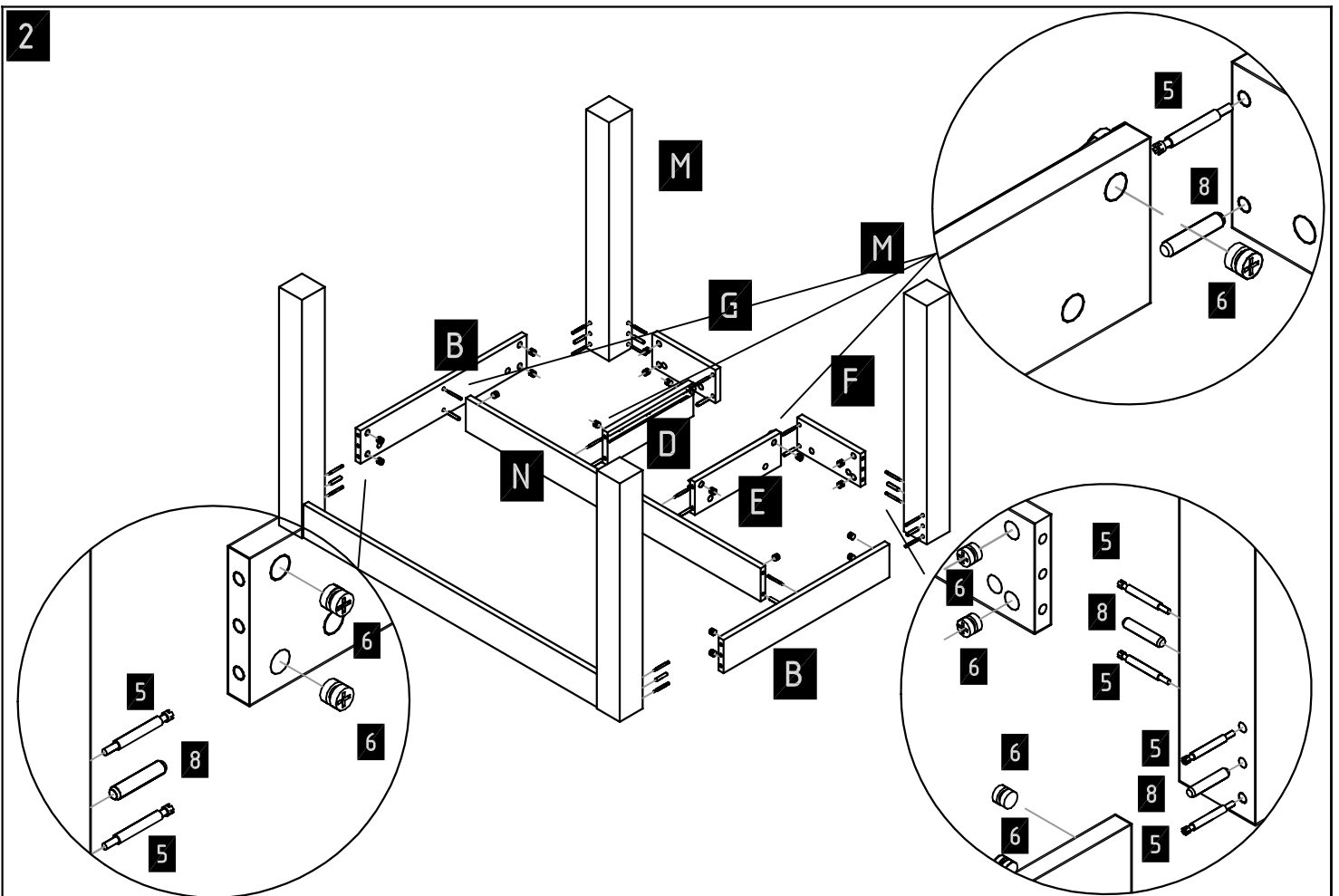
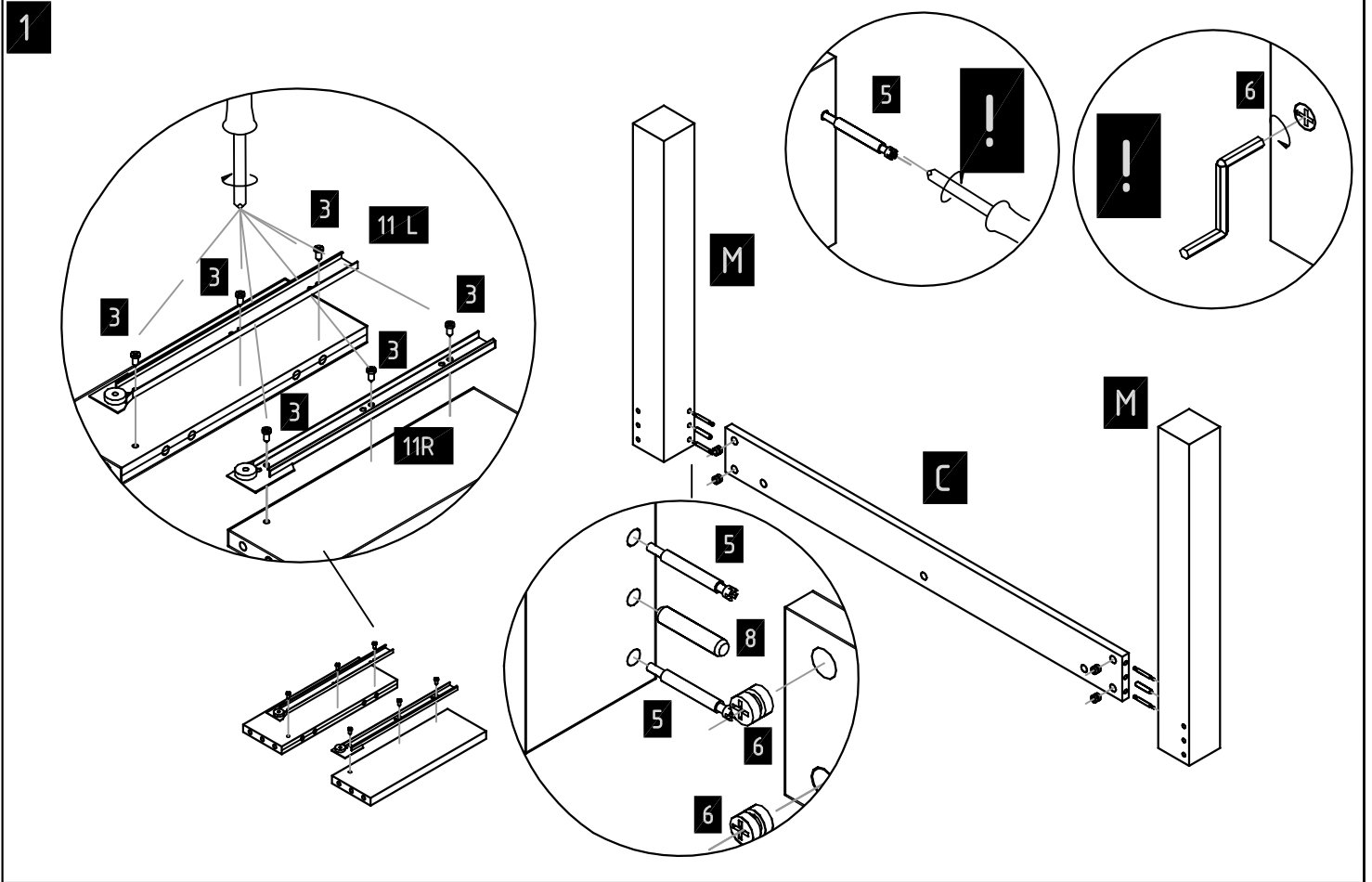
International Helpline (English speaking): +44 1942 524 100



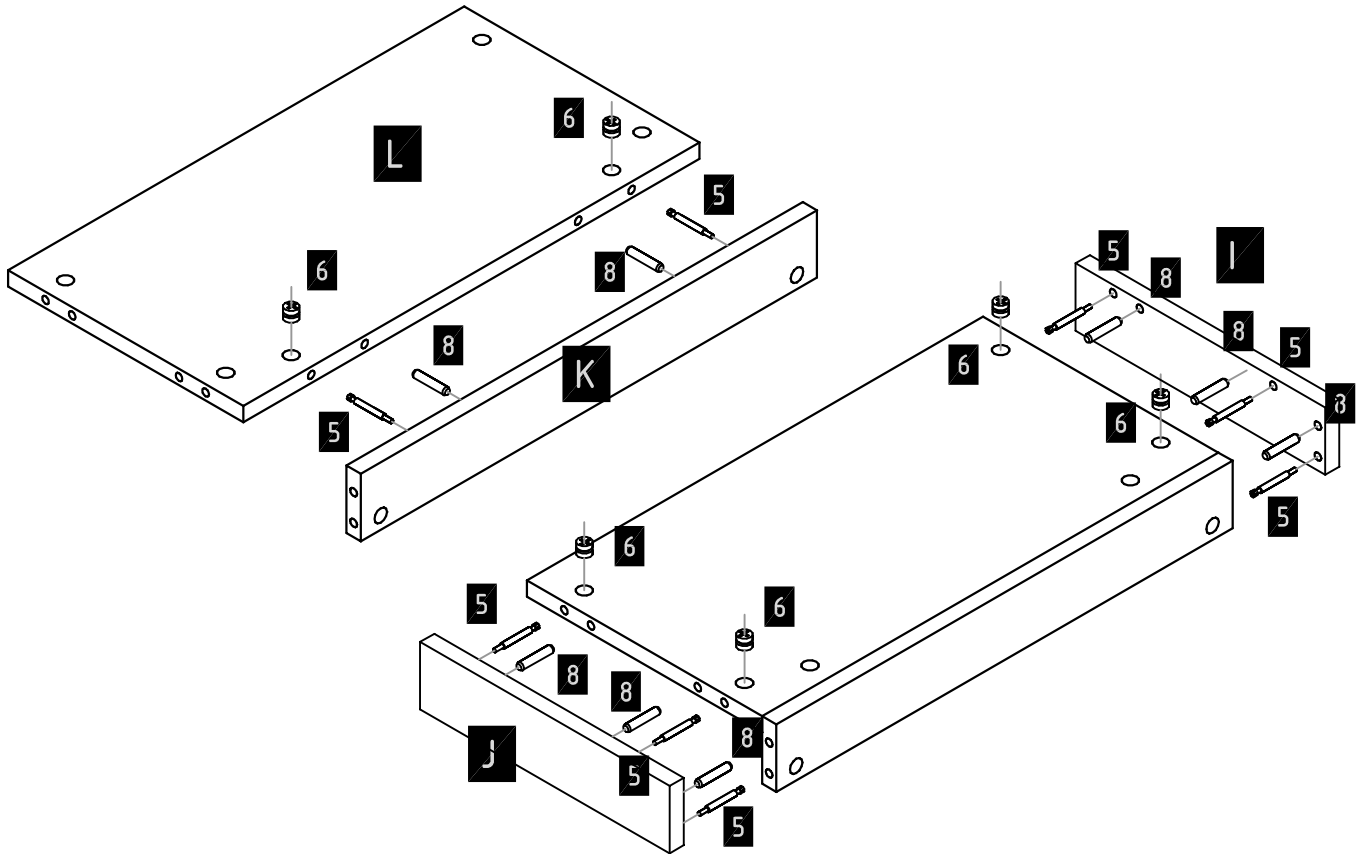
Interested in more Alphason products? Visit our website at:  
[www.alphasondesigns.com](http://www.alphasondesigns.com)



Have a question? Want more information? Email us on?  
[info@alphasondesigns.com](mailto:info@alphasondesigns.com)



3



4

