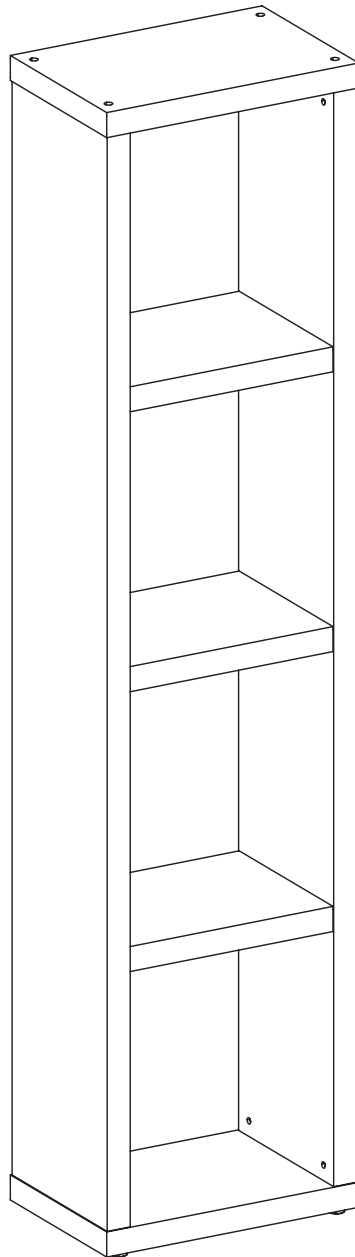


# 4 shelf bookcase

Q16009-IS\_r1



PLACE LABEL  
Q14171-SK  
HERE



01942 524 100



[customer.services@armourhome.co.uk](mailto:customer.services@armourhome.co.uk)



Armour Home Electronics, Units 7 & 8, Stortford Hall Industrial Park,  
Dunmow Road, Bishops Stortford, Hertfordshire, UK, CM23 5GZ

# 4 shelf bookcase

**Thank you for purchasing this product. Please inspect all parts prior to assembly and contact us if there are any damaged or missing components. This must be done before attempting assembly.**

## **Pre-assembly preparation**

Please check the pack contents before attempting to assemble this product. A full checklist of components is given in this leaflet. If any components are missing, please contact the retailer from whom you bought this product.

This product is **HEAVY**, it should be assembled as near as possible to the point of use. **TAKE CARE WHEN LIFTING** to avoid personal injury and (or) damage to the product.

This product takes approximately **30 MINUTES** to assemble with **1 PERSON**.

The fittings pack contains **SMALL ITEMS** which should be **KEPT AWAY FROM YOUNG CHILDREN**.

Read this leaflet in full before commencing assembly to ensure safe and satisfactory operation of this product.

## **Safety Instructions**

Never drag furniture when moving it, always lift it.

Periodically check all fixings to ensure none have come loose and re-tighten where necessary.

Please take care when handling or moving the furniture as careless handling may cause damage or injury.

Furniture can be dangerous if incorrectly installed. Assembly should be carried out by a competent person. No liability will be accepted for damage or injury caused by incorrectly installed or assembled furniture.

It is recommended that before moving heavy objects to a new location they are completely dis-assembled to avoid personal injury or damage to the furniture. Please be careful to retain all fittings when doing this.

## **Care Instructions**

Do not place hot or cold items against or in close proximity to any surface on this product.

Do not strike any glass with hard or pointed items.

When cleaning glass or high gloss panels use a damp cloth or leather with washing up liquid or soft soap if necessary; do not use washing powders or other substances containing abrasives as these may scratch the glass. Dry with a soft cloth.

In order to maintain a high quality finish, when cleaning metal, painted or wooden parts please use a soft cloth with a suitable furniture polish if required.

## **WARNING :**

Do not sit or stand on this product.

Do not attempt to move this product whilst loaded with equipment.

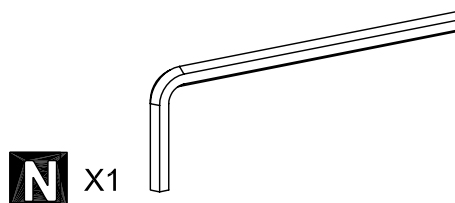
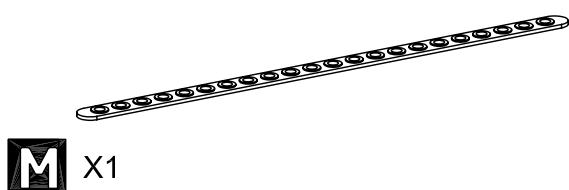
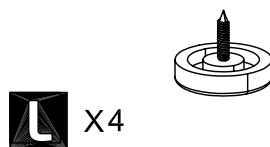
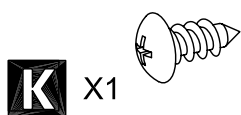
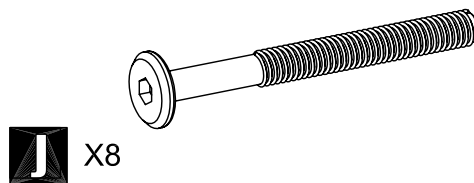
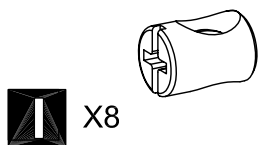
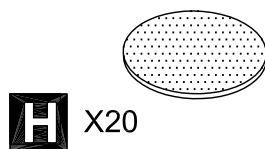
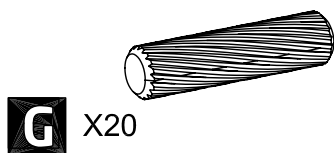
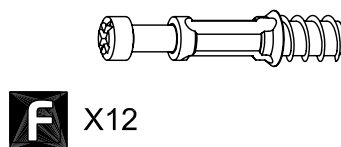
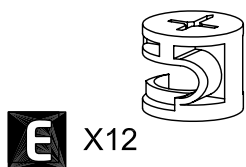
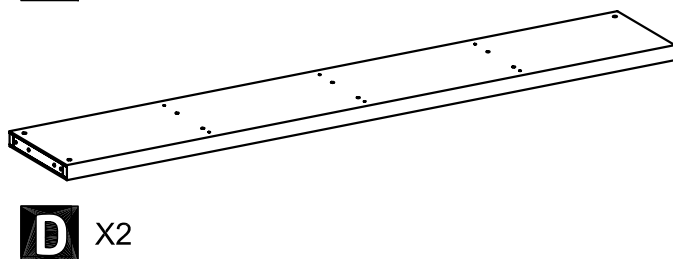
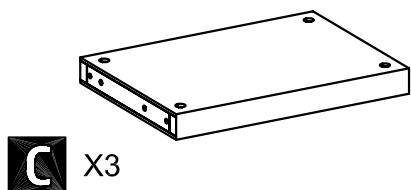
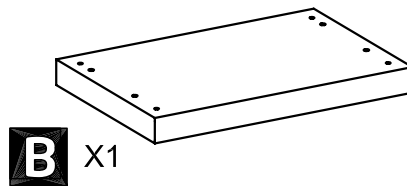
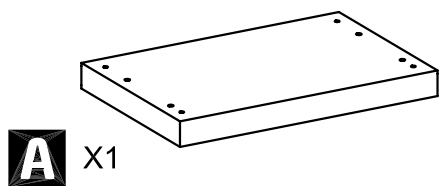
**DO NOT OVERTIGHTEN ANY PART OF THIS ASSEMBLY**

This product complies to BS6206 and BS7376:2004

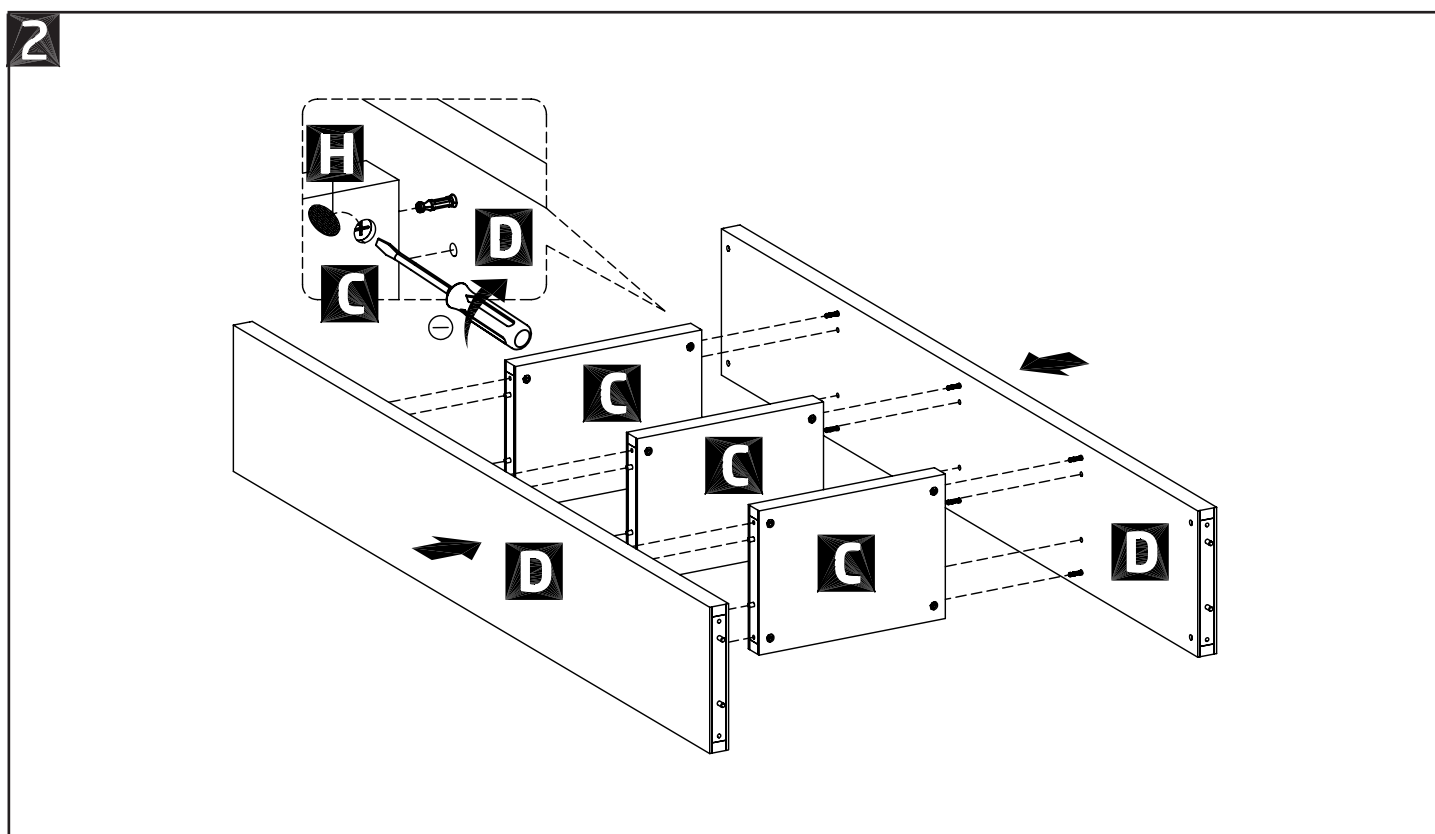
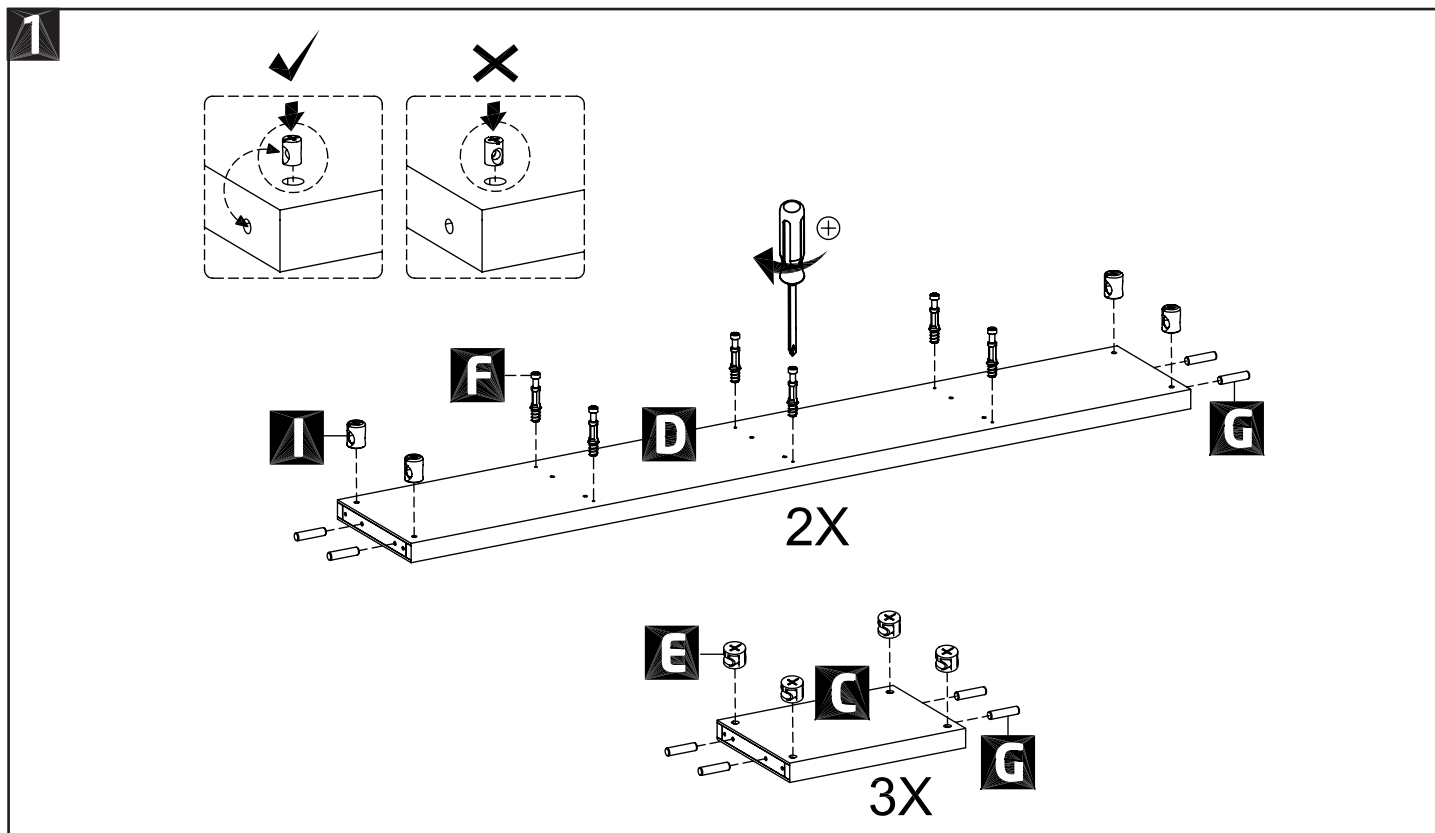
**PLEASE KEEP THESE INSTRUCTIONS FOR FUTURE REFERENCE**

**ARMOUR HOME ACCEPTS NO LIABILITY FOR ANY DAMAGE CAUSED THROUGH INCORRECT OR INAPPROPRIATE USE OF THIS PRODUCT.**

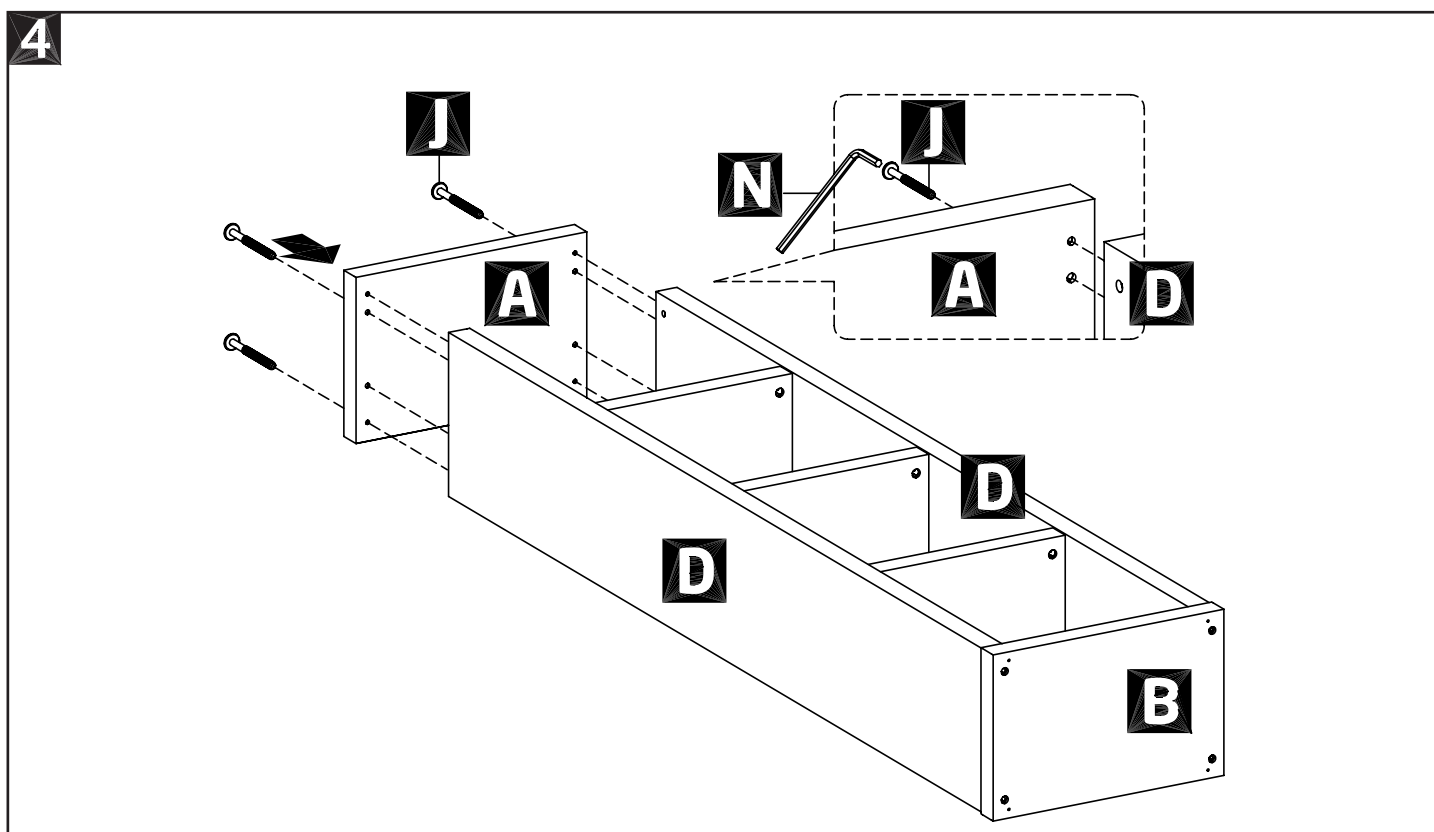
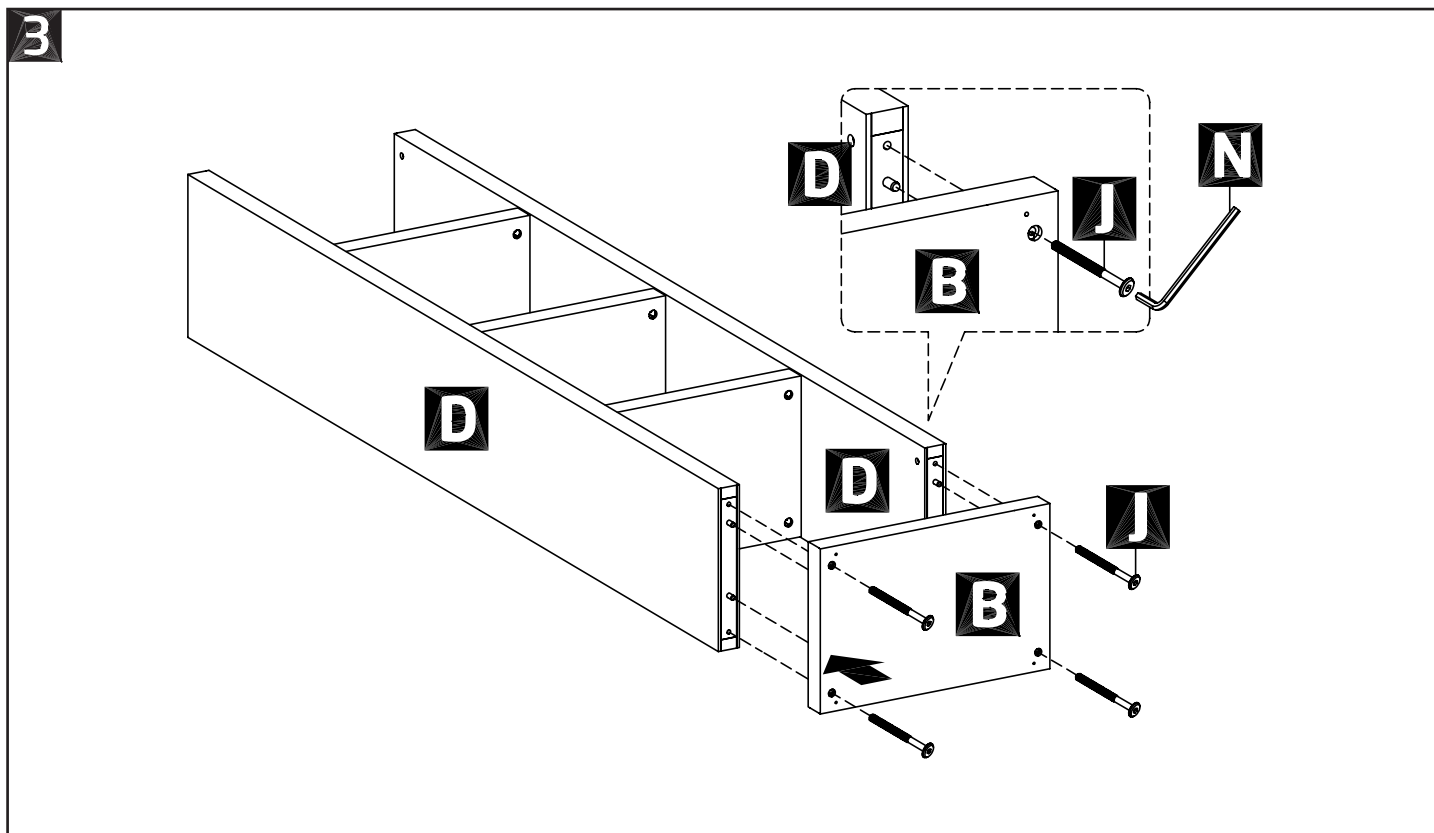
# 4 shelf bookcase



# 4 shelf bookcase



# 4 shelf bookcase



Armour Home Electronics  
Units 7 & 8, Stortford Hall Industrial Park,  
Dunmow Road, Bishops Stortford,  
Hertfordshire, UK, CM23 5GZ

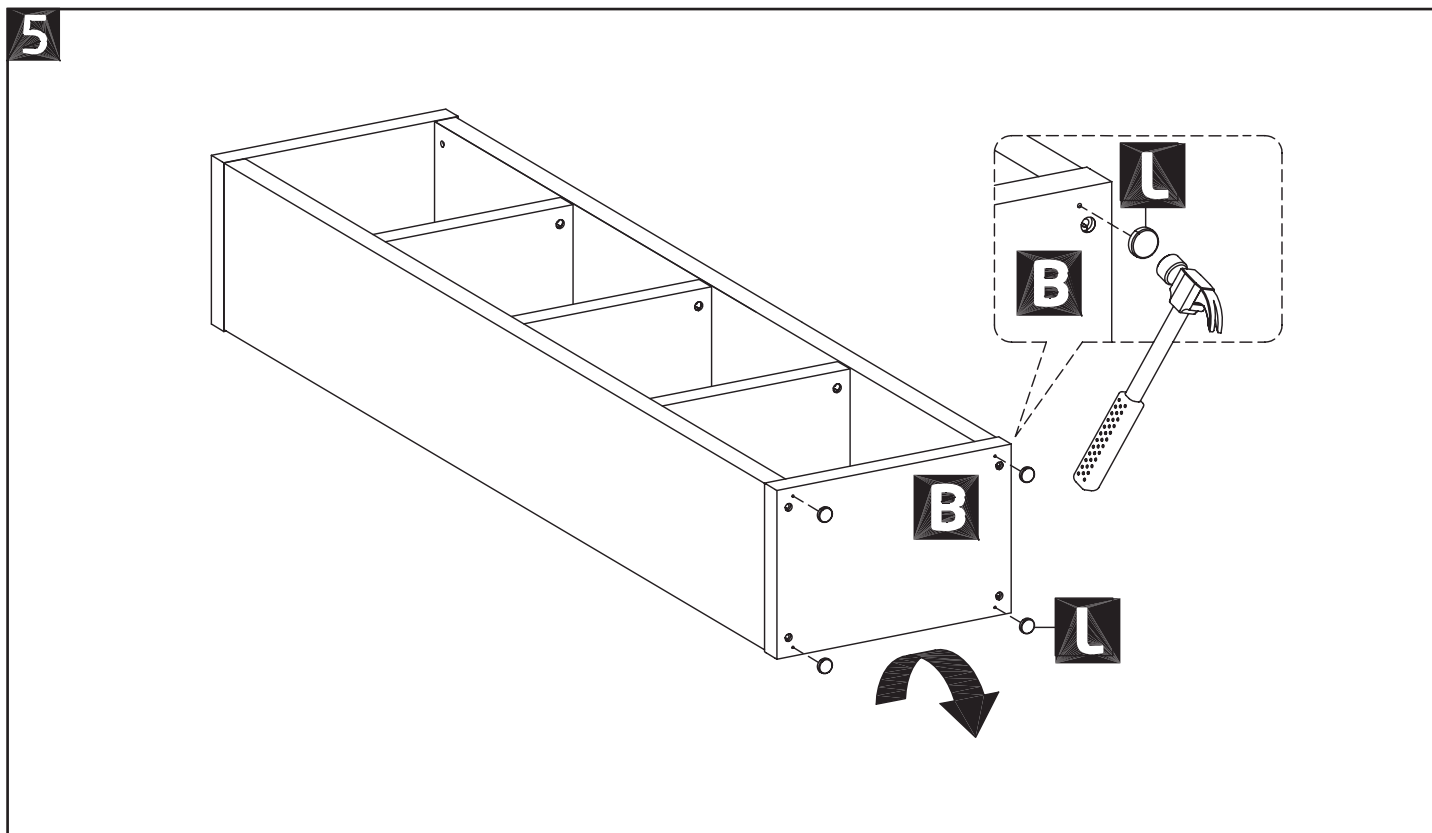


[www.armourhome.co.uk](http://www.armourhome.co.uk)

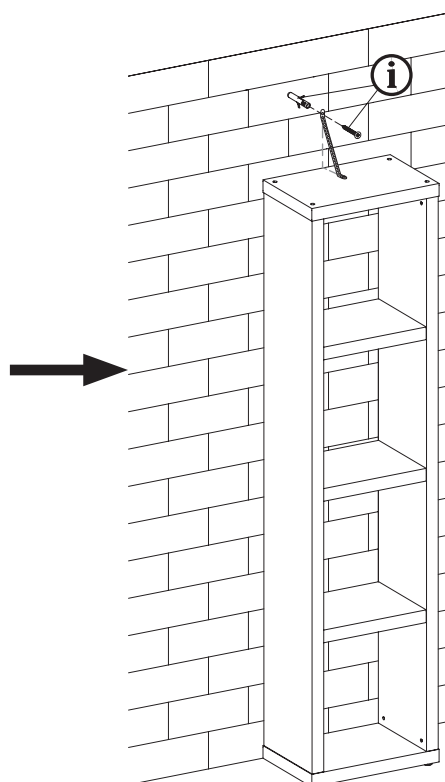
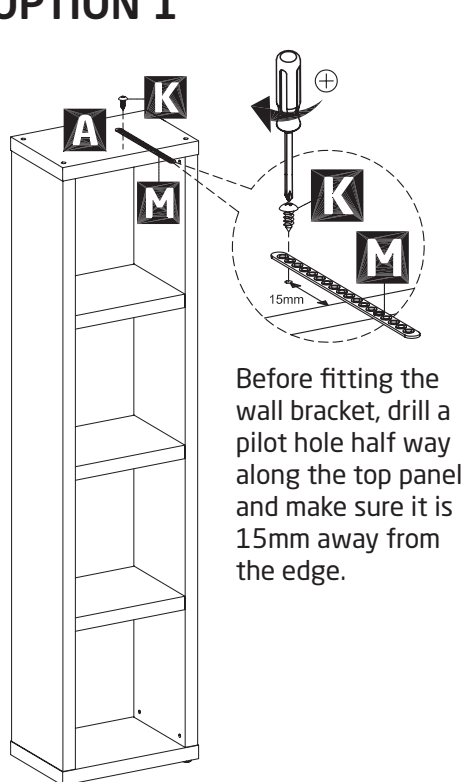


0845 130 6686

# 4 shelf bookcase



## 6a OPTION 1



**i** Wall fixings not provided. Use appropriate fixings for your installation.

**!** Wall bracket ensures safety by fixing cabinet to wall. This must be installed!



Armour Home Electronics  
Units 7 & 8, Stortford Hall Industrial Park,  
Dunmow Road, Bishops Stortford,  
Hertfordshire, UK, CM23 5GZ



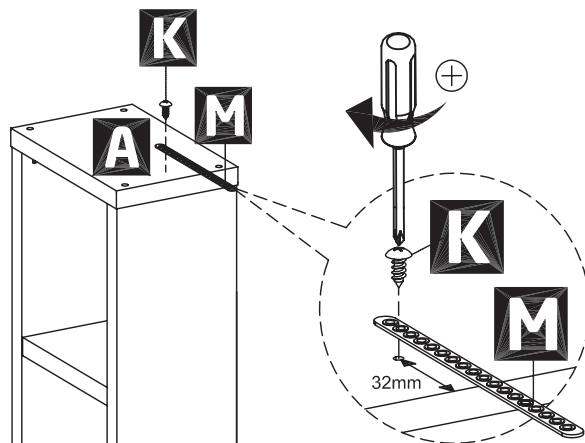
[www.armourhome.co.uk](http://www.armourhome.co.uk)



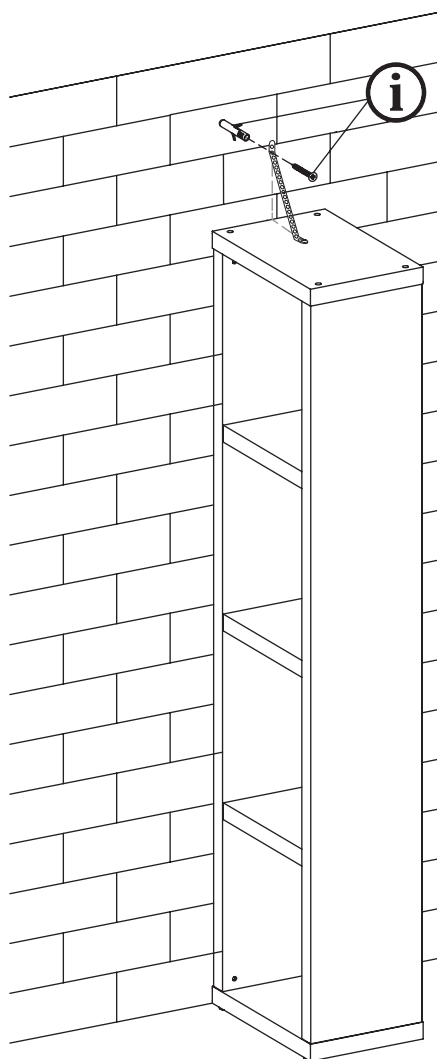
0845 130 6686

# 4 shelf bookcase


## 6b OPTION 2



Before fitting the wall bracket, drill a pilot hole half way along the top panel and make sure it is 32mm away from the edge.



Wall fixings not provided. Use appropriate fixings for your installation.

 Wall bracket ensures safety by fixing cabinet to wall. This must be installed!



Armour Home Electronics  
Units 7 & 8, Stortford Hall Industrial Park,  
Dunmow Road, Bishops Stortford,  
Hertfordshire, UK, CM23 5GZ



[www.armourhome.co.uk](http://www.armourhome.co.uk)



0845 130 6686