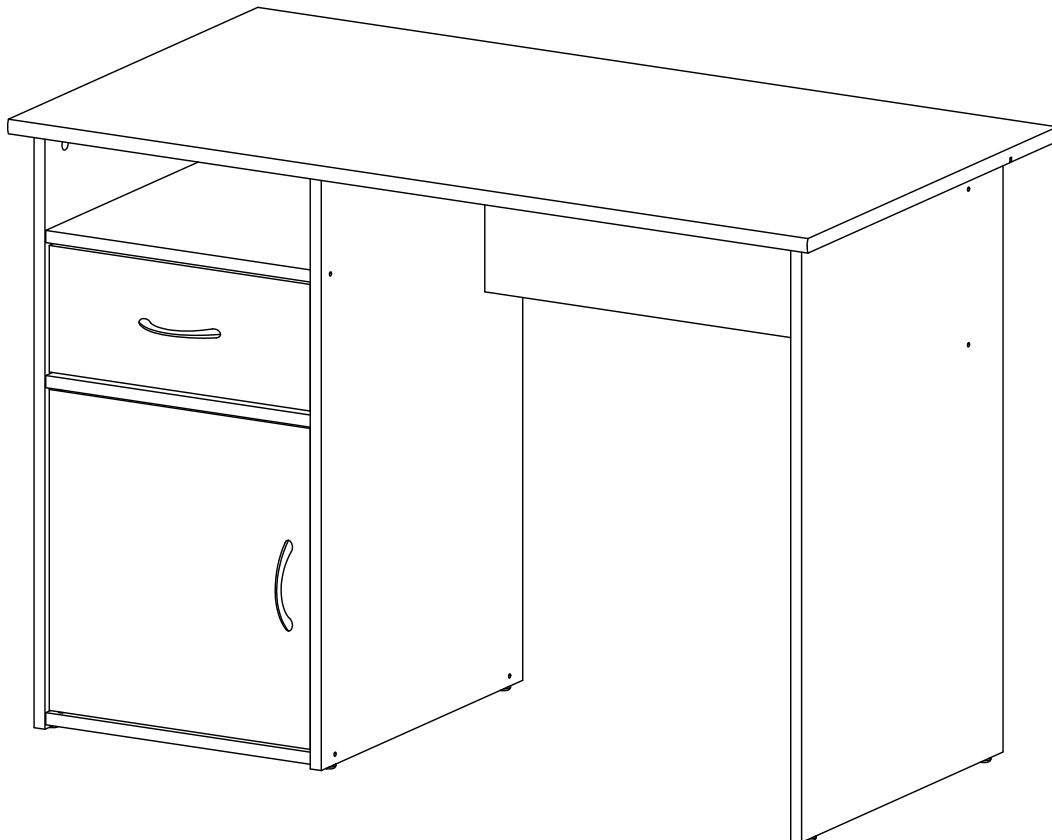


**alphason**

# AW22145



REFERENCE NO:

**POR000000**

Please retain this booklet as you will be asked to quote this number for any warranty or product related queries

Issue: 00/00/00

**PLEASE INSPECT ALL PARTS PRIOR TO ASSEMBLY AND CONTACT US IF ANY OF THE PARTS ARE DAMAGED OR MISSING. THIS MUST BE DONE BEFORE ATTEMPTING ASSEMBLY.**



Need help or advice? Missing/damaged parts?  
Contact us directly on:

**Helpline 0845 130 6686**

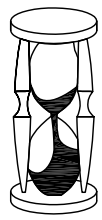
International Helpline (English Speaking): +44 1942 524 100



Interested in more Alphason products? Visit our website at:  
[www.alphasondesigns.com](http://www.alphasondesigns.com)



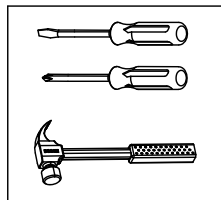
Have a question? Want more information? Email us on?  
[customer.services@armourhome.co.uk](mailto:customer.services@armourhome.co.uk)



60 MIN



x2



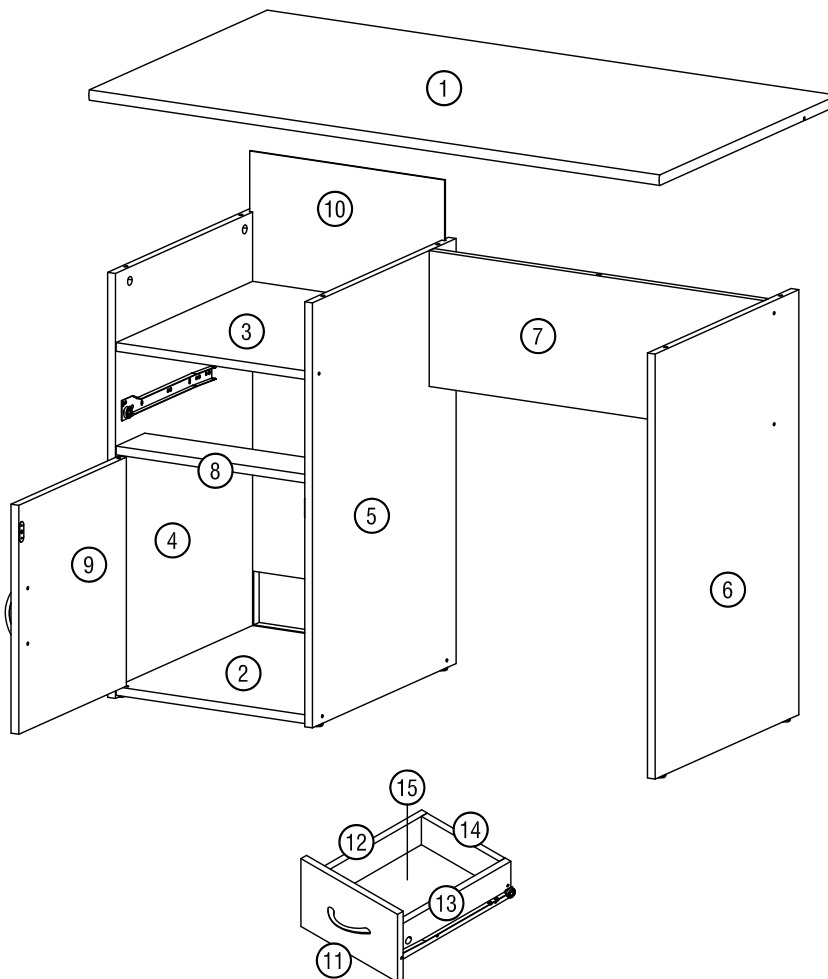
Self-Assemble  
tool request












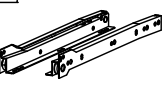


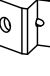
### Instructions/Instrucciones/Mode d'emploi

- Do not tighten bolts completely until desk is fully assembled
- Por favor no apretar los tornillos hasta que haya ensamblado
- el escritorio completamente

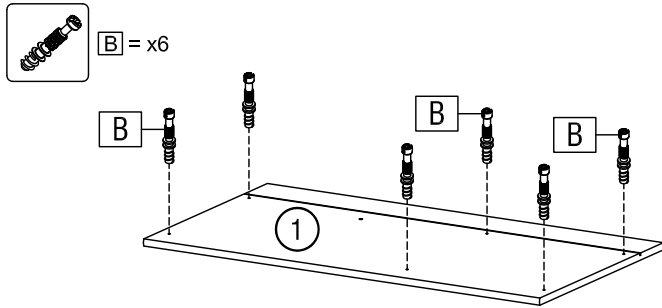
## PARTS LIST

1	x1
2	x1
3	x1
4	x1
5	x1
6	x1
7	x1
8	x1
9	x1
10	x1
11	x1
12	x1
13	x1
14	x1
15	x1

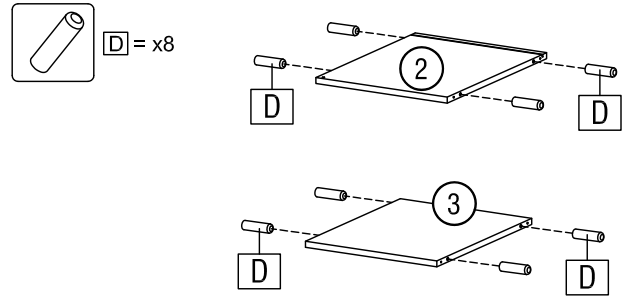


<b>A</b>  x8	<b>B</b>  x8	<b>C</b>  x8	<b>D</b>  x21	<b>E</b>  6 X 13 mm x8	<b>F</b>  4 X 22 mm x4	<b>G</b>  4 x 13 mm x3
<b>H</b>  8 x 50 mm x14	<b>I</b>  x2	<b>J</b>  x1	<b>K</b>  x2	<b>L</b>  1 set	<b>M</b>  x1	<b>N</b>  4 X 15 mm x8
<b>O</b>  x8						

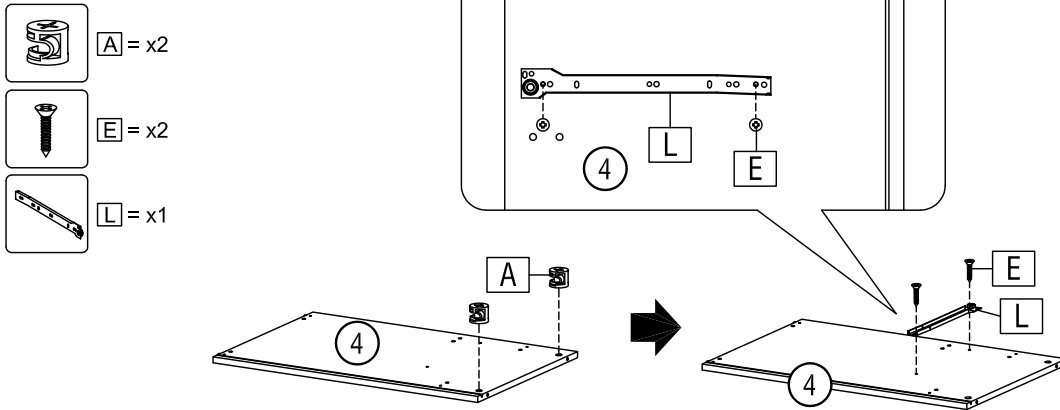
## Step 1



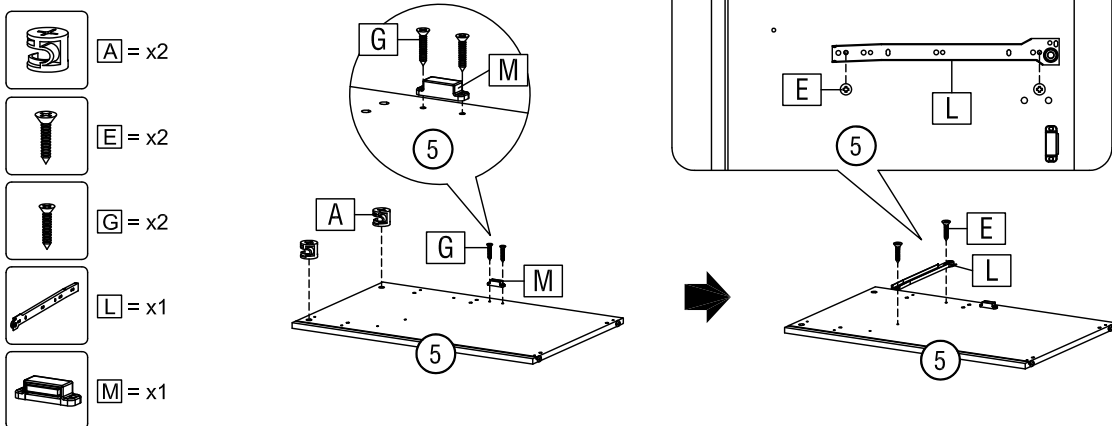
## Step 2



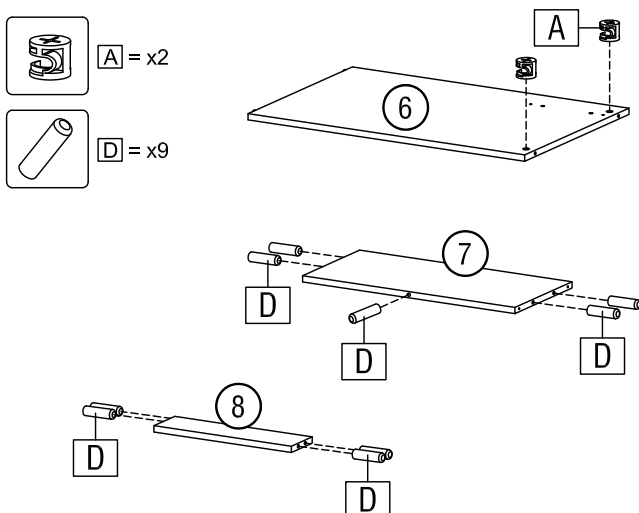
## Step 3



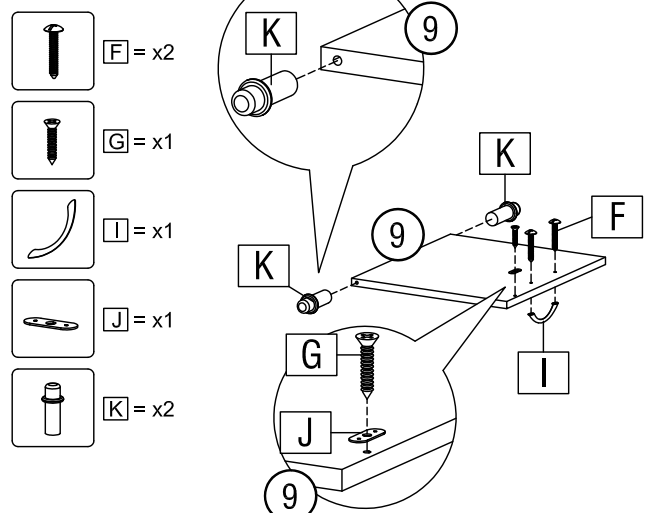
## Step 4



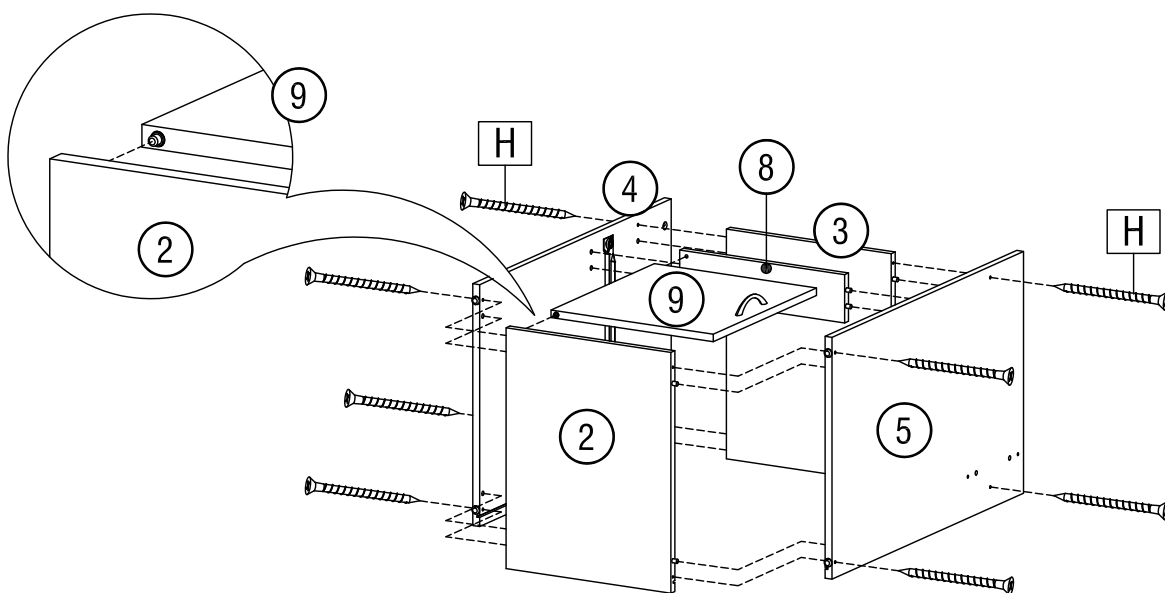
## Step 5



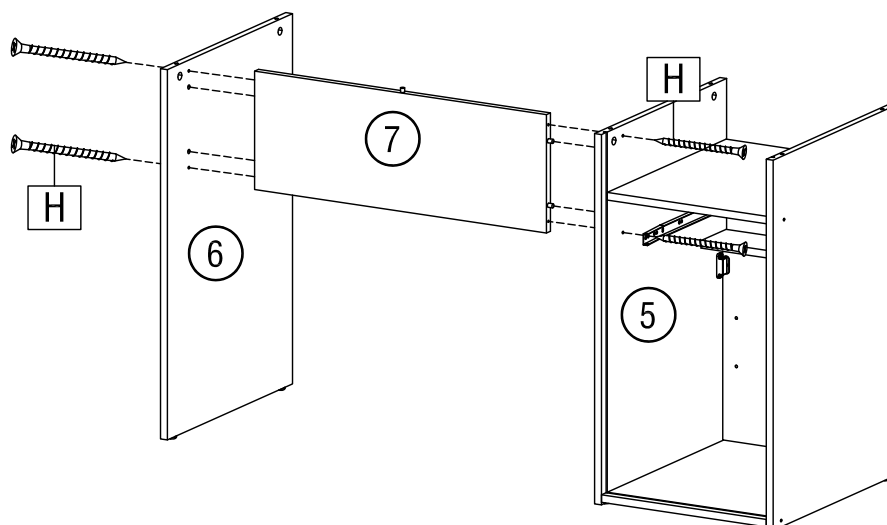
## Step 6



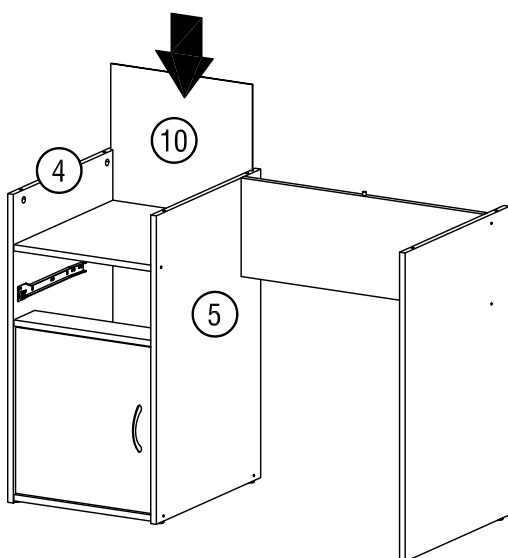
## Step 7



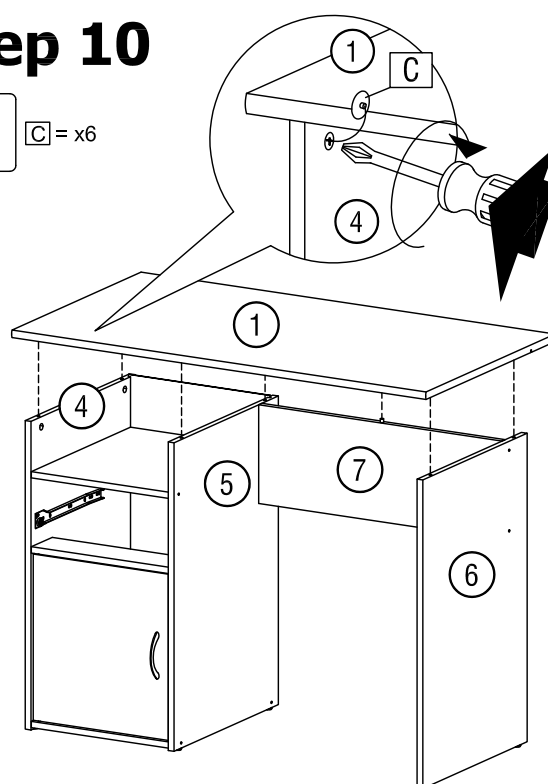
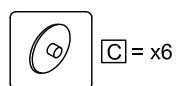
## Step 8



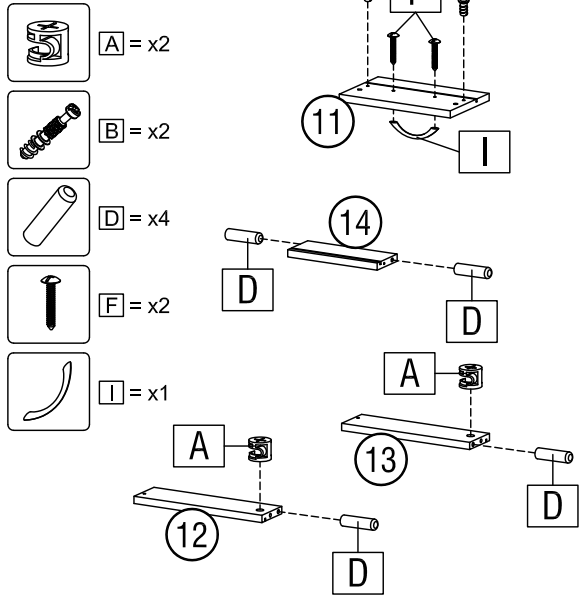
## Step 9



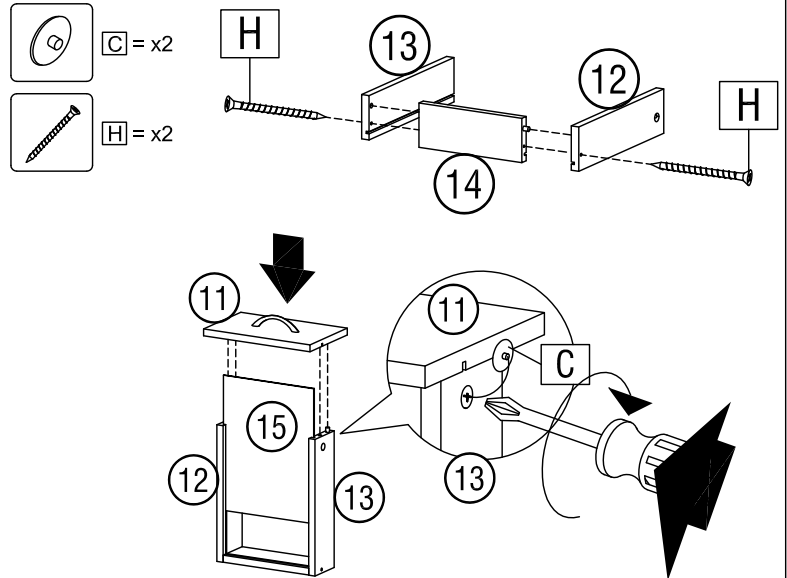
## Step 10



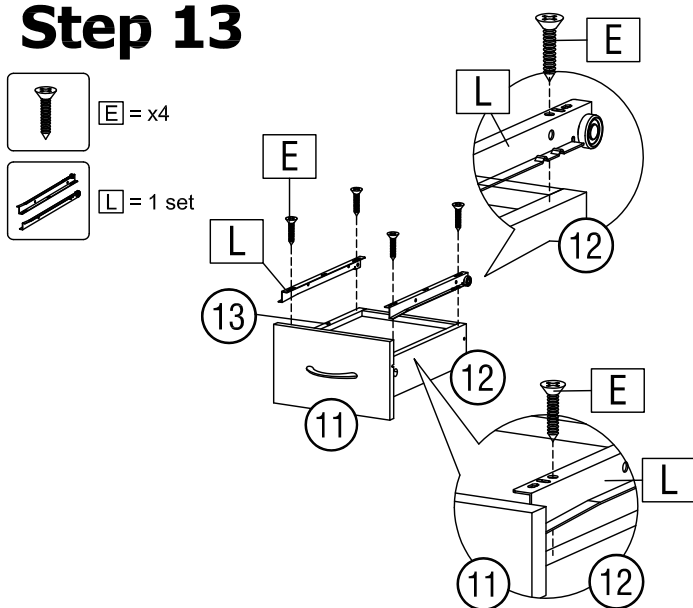
## Step 11



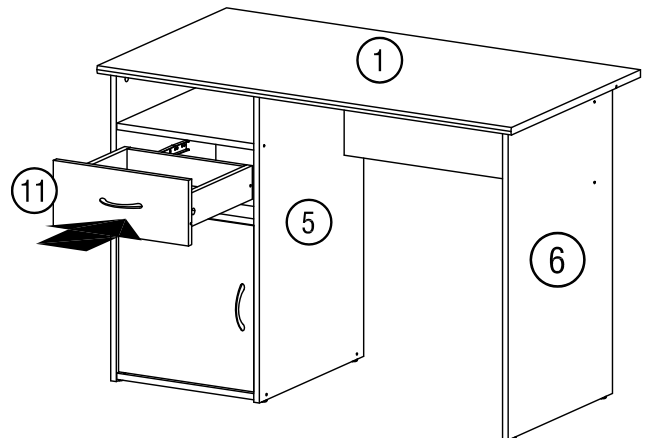
## Step 12



## Step 13



## Step 14



## Step 15

