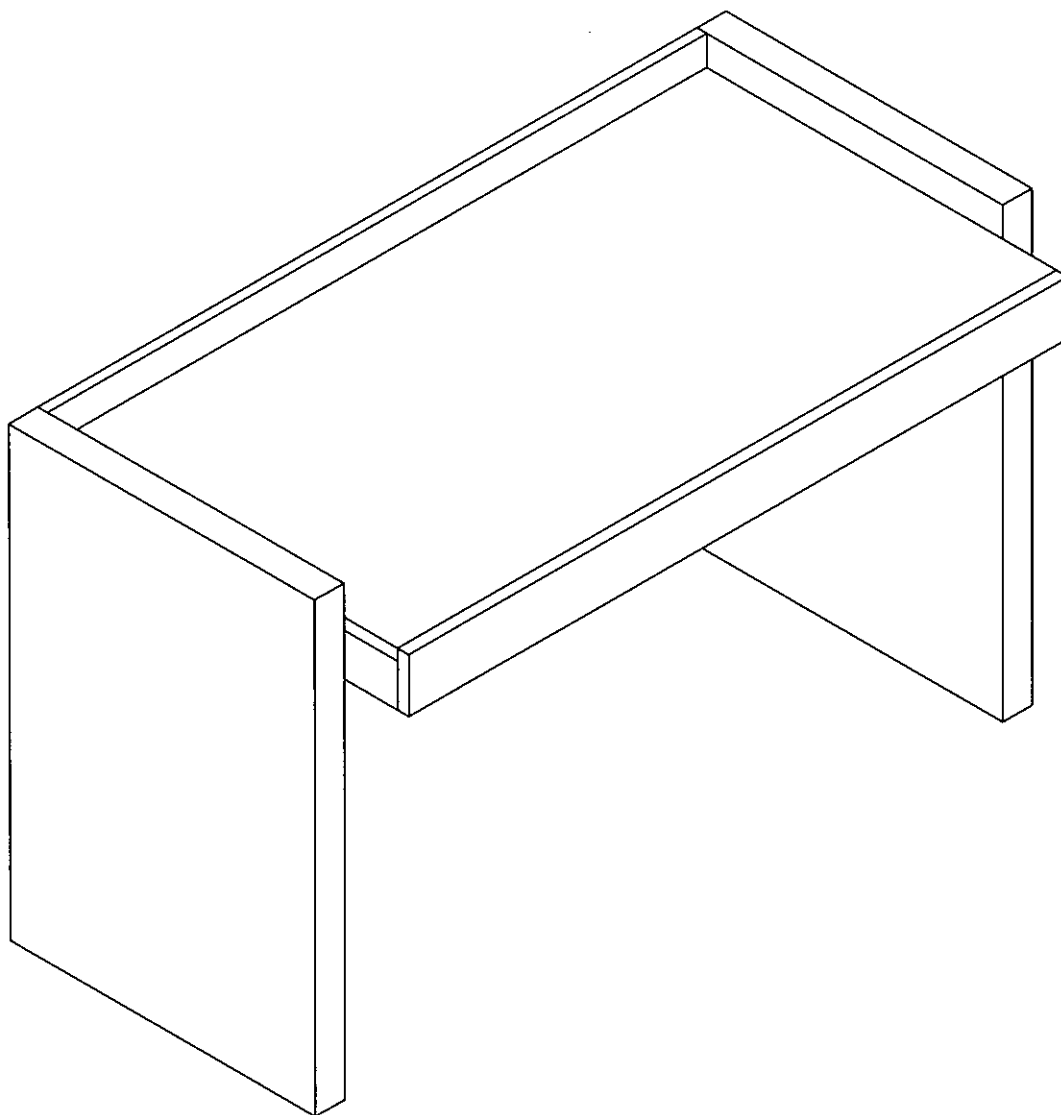


AW75018 - Campbell

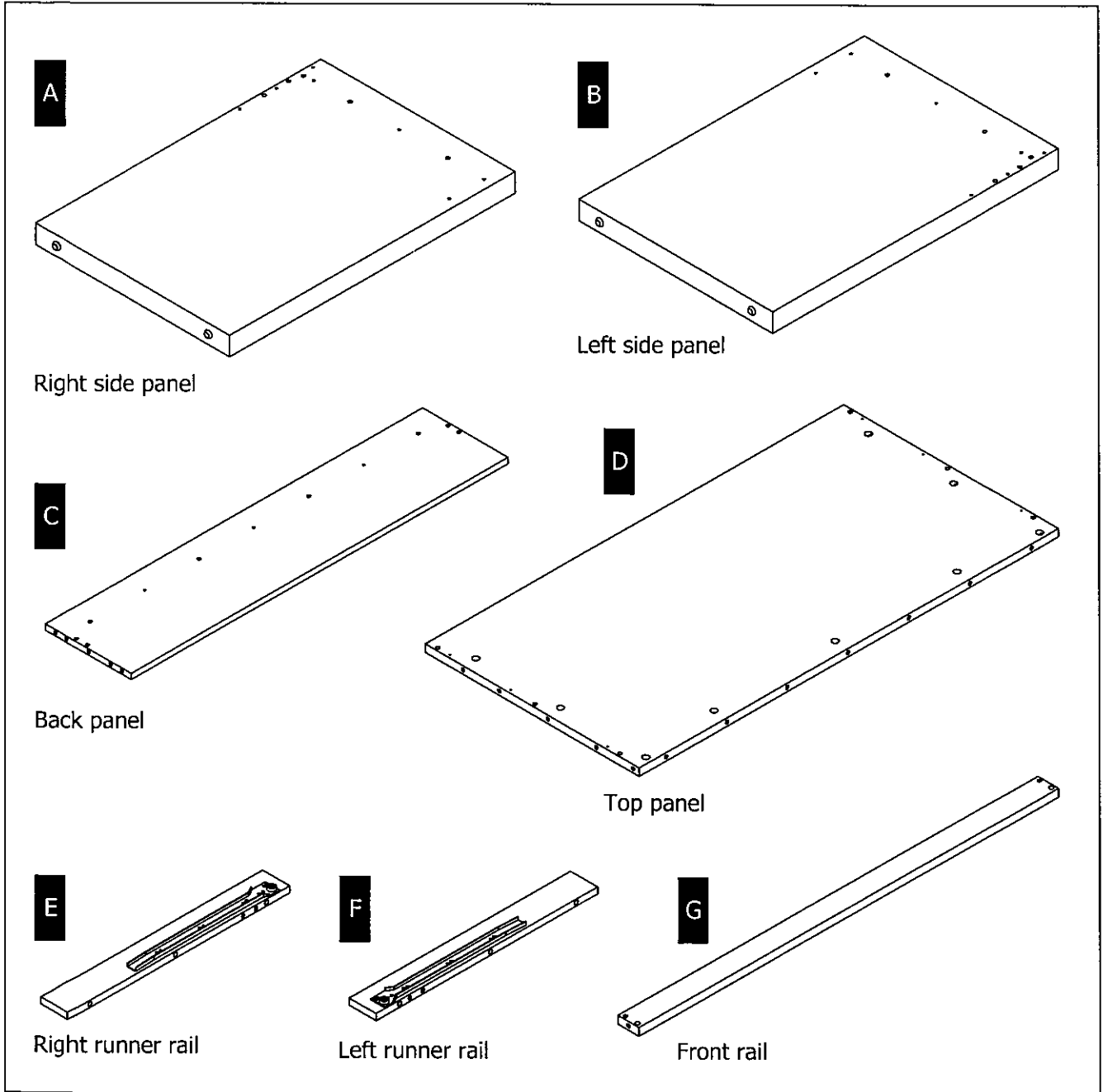


REFERENCE NO:

PO25208

Please retain this booklet as you will be asked to quote this number for any warranty or product related queries

AW75018 - Campbell



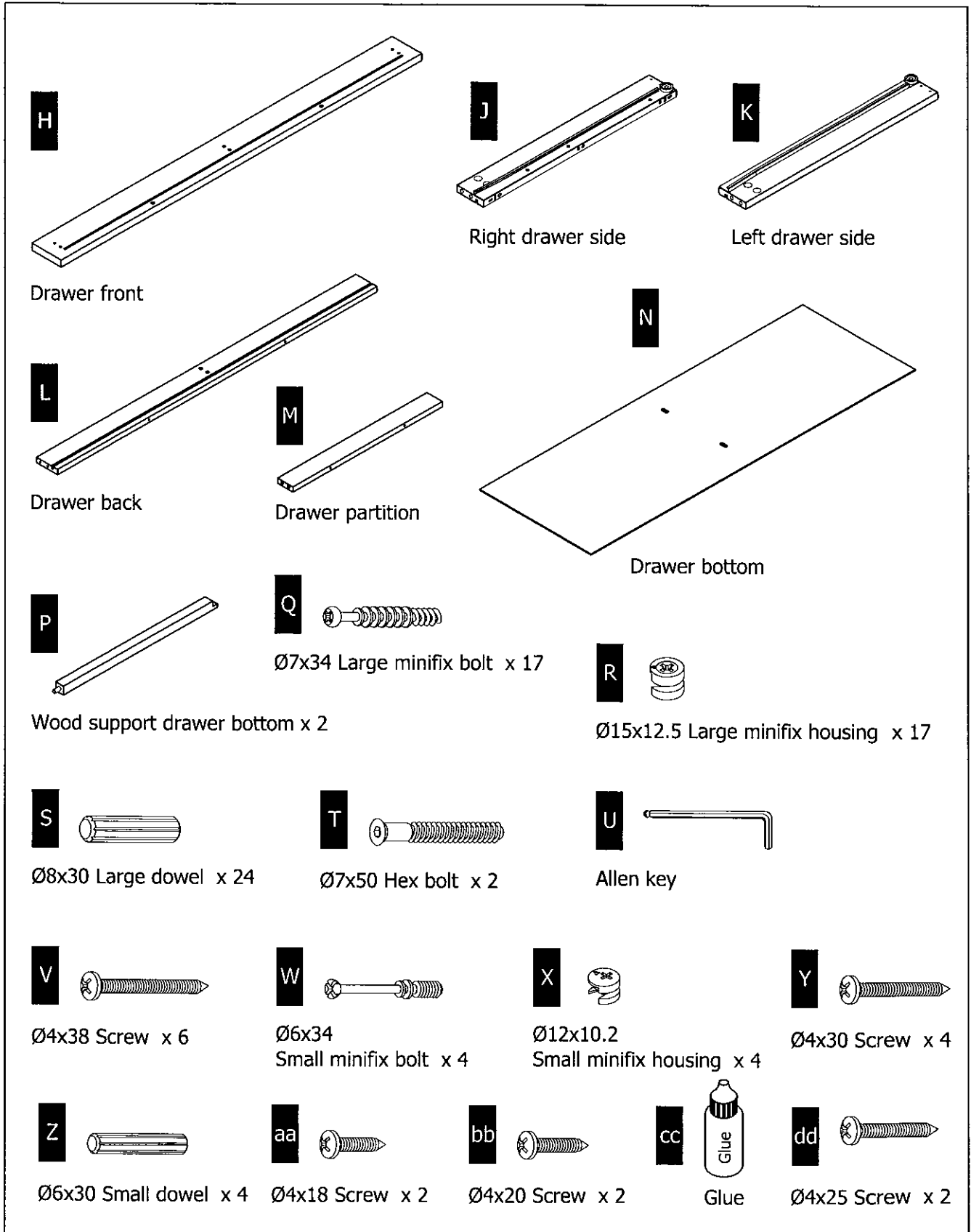
IMPORTANT INFORMATION

- 1) Before starting assembly please take time to familiarise yourself with the instructions and the components listed in this manual, as this product could be unstable if incorrectly installed.
- 2) A cross head screw driver only should be used to assemble this product, an electric drill may cause damage to the product and is not recommended.
- 3) All assembly should be performed on a flat, stable, clean and soft surface.
- 4) The fitting pack contains small items which should be kept away from young children.
- 5) In order to maintain a high quality finish, do not clean with abrasive detergents or powder. Please use a soft lint free cloth.
- 6) DO NOT OVERTIGHTEN ANY PART OF THIS ASSEMBLY

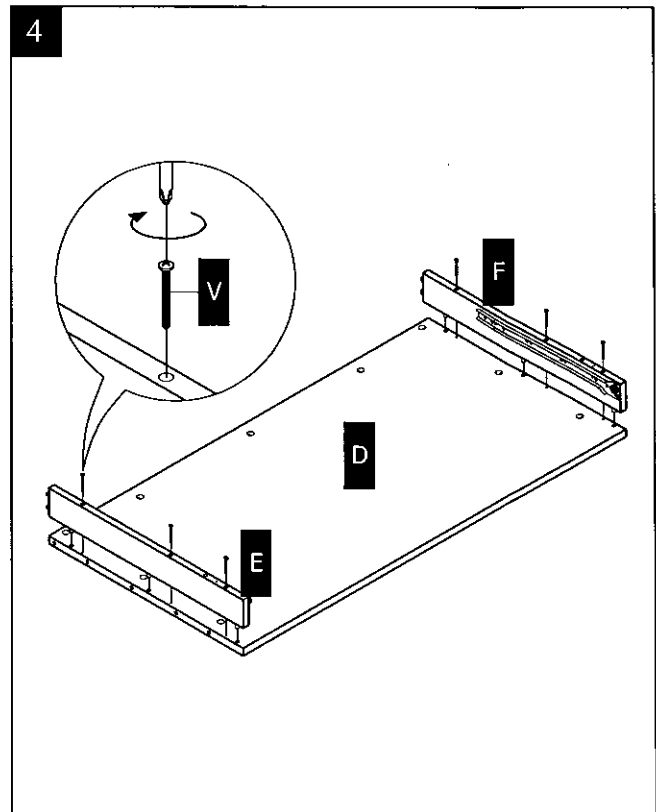
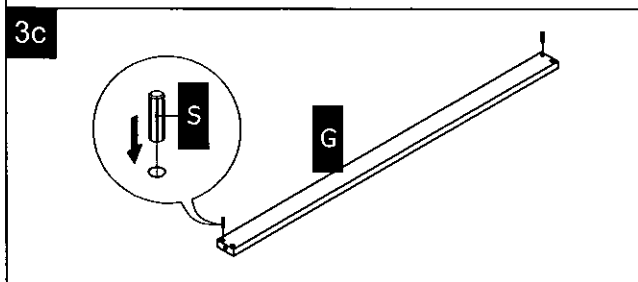
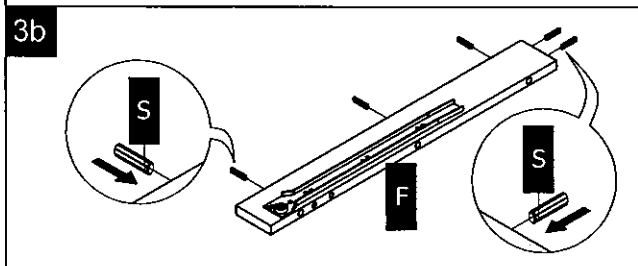
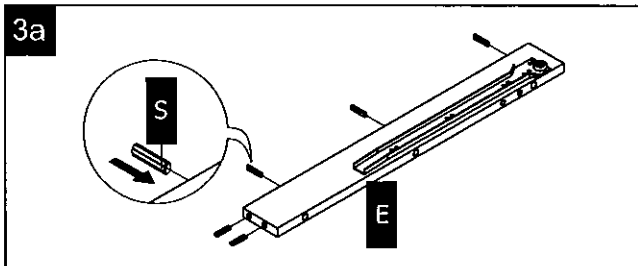
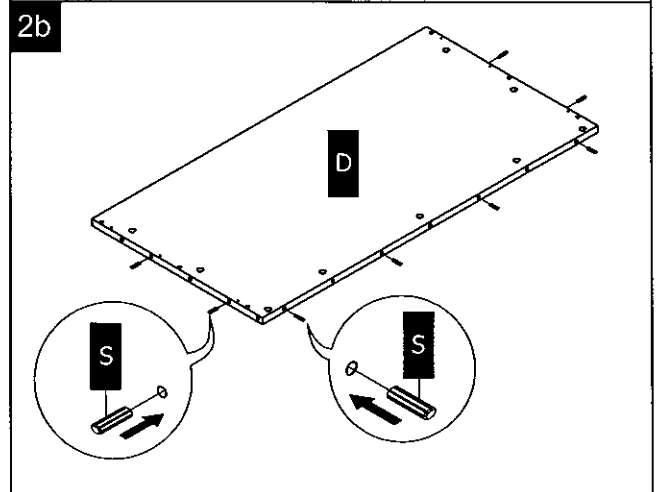
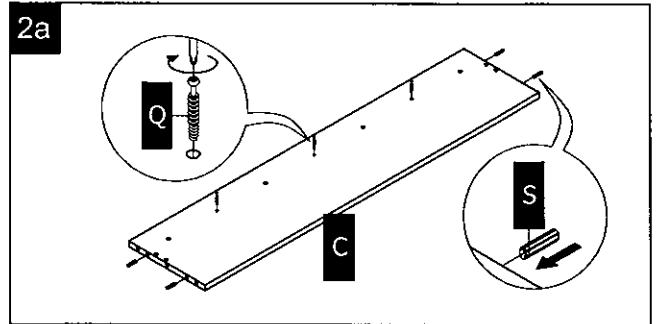
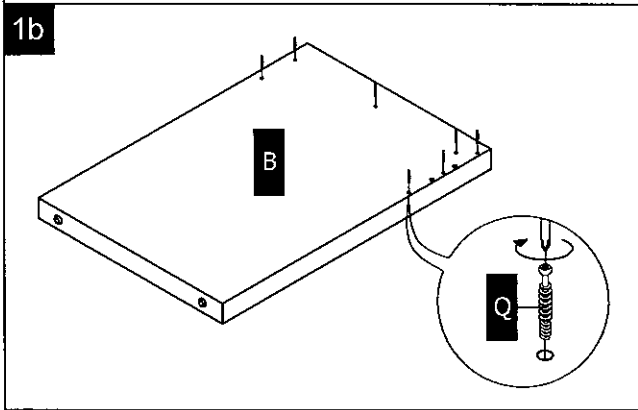
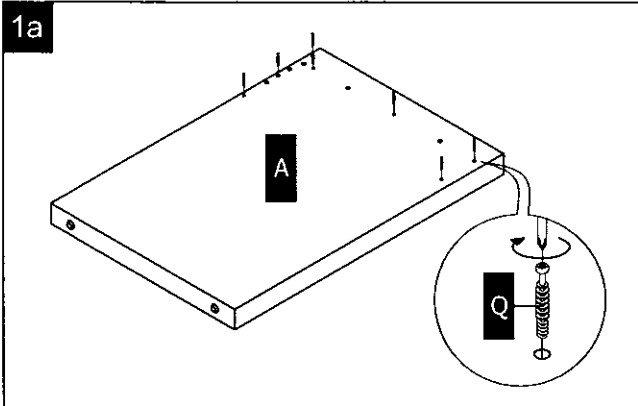
Please Note: Total maximum load for this unit should not exceed 60Kg. This unit must be assembled in accordance with these assembly instructions.

Alphason Designs Ltd. accepts no liability for any damage caused by the incorrect or inappropriate use of this instruction leaflets.

AW75018 - Campbell

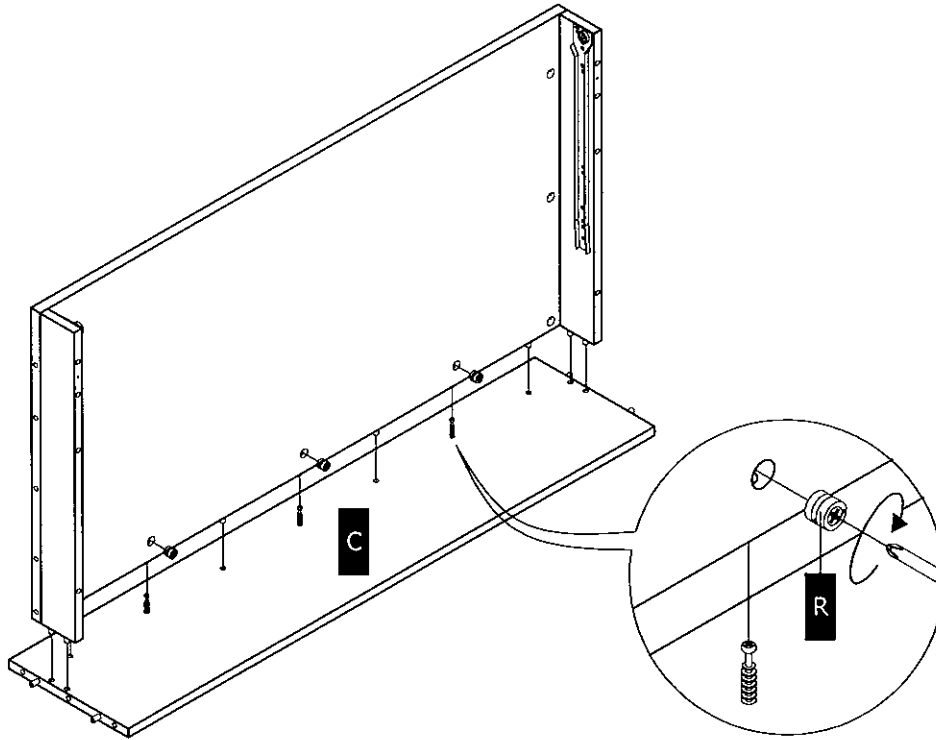


AW75018 - Campbell

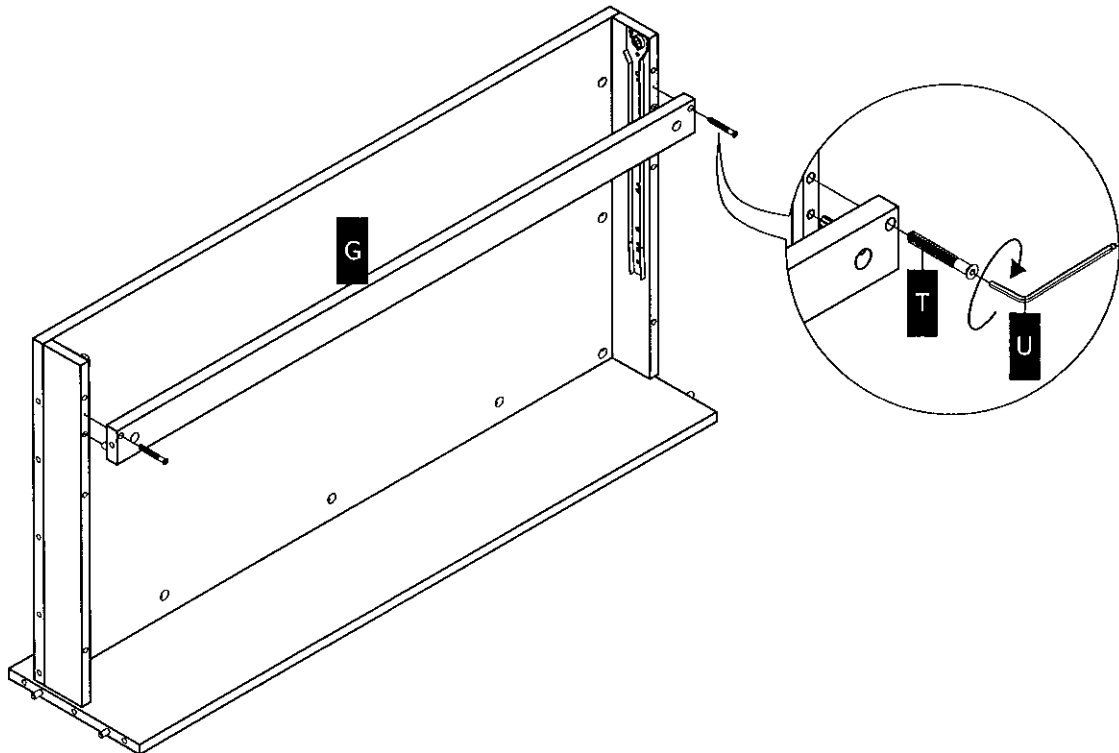


AW75018 - Campbell

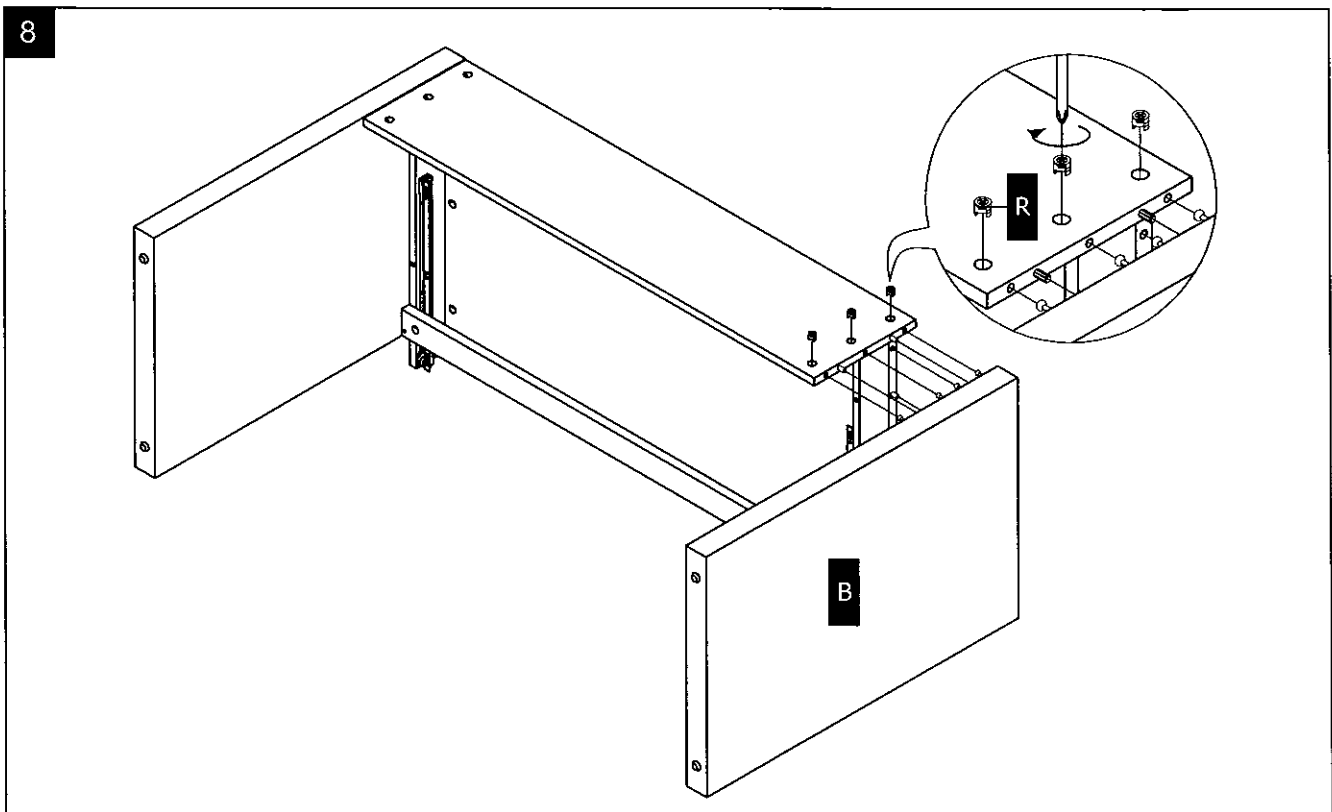
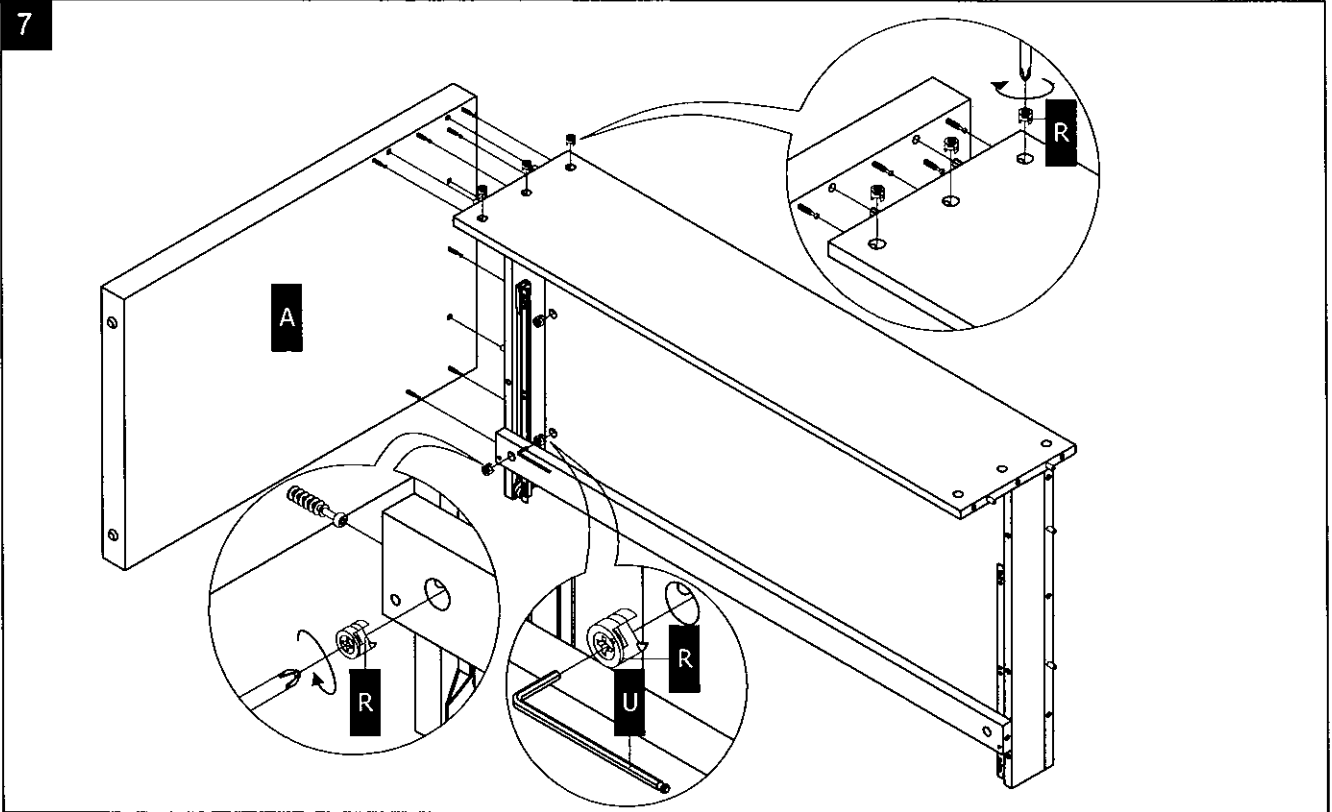
5

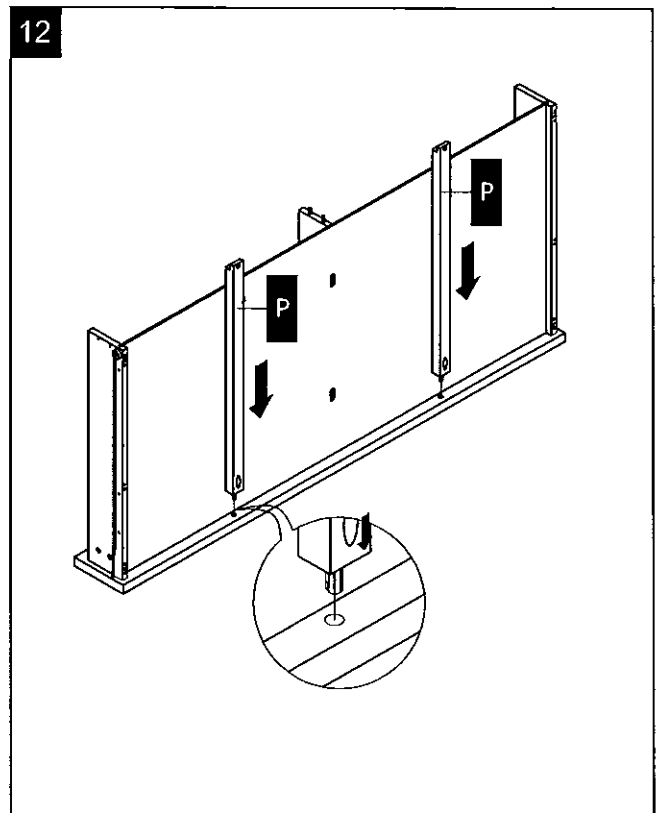
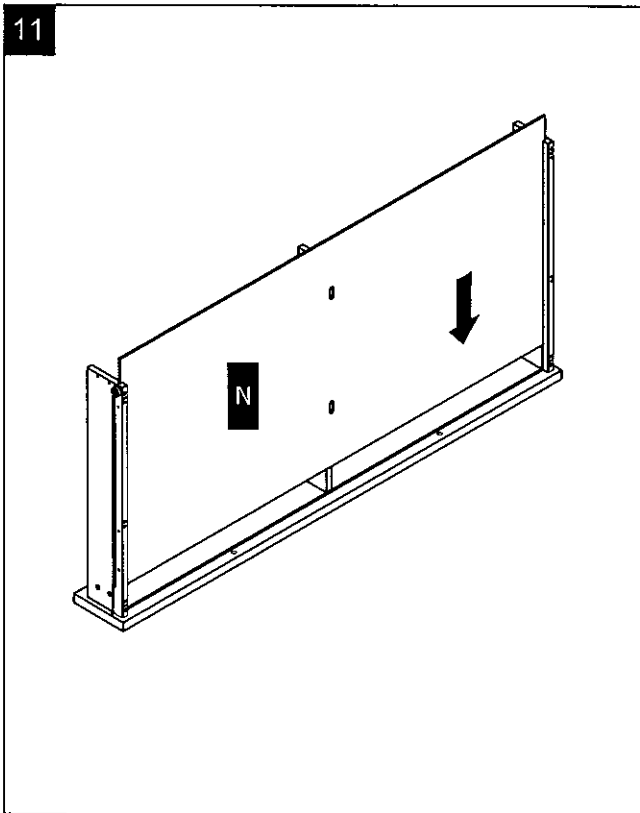
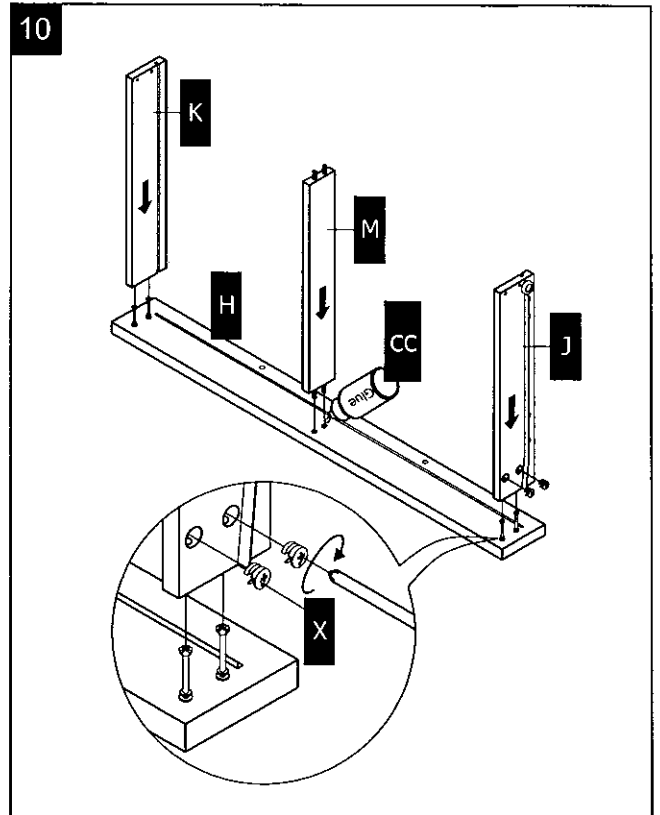
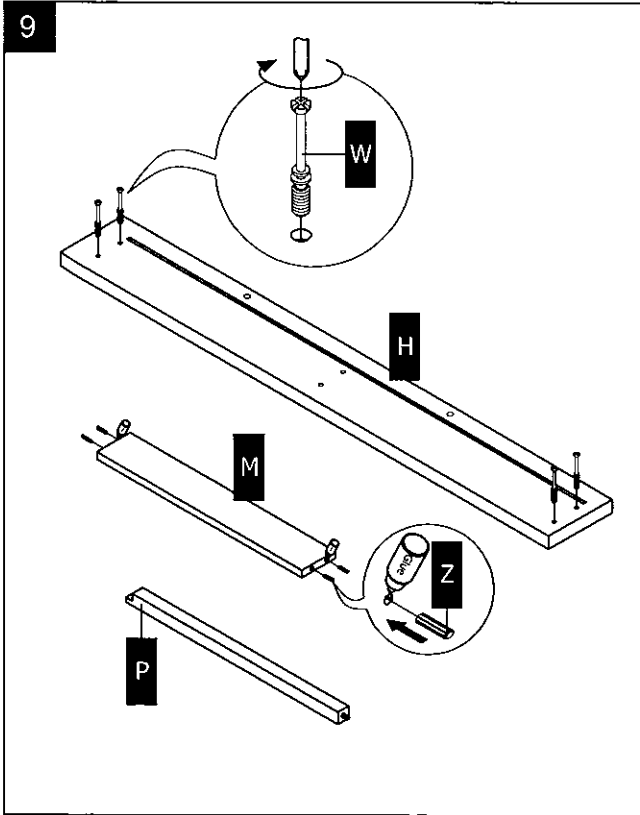


6

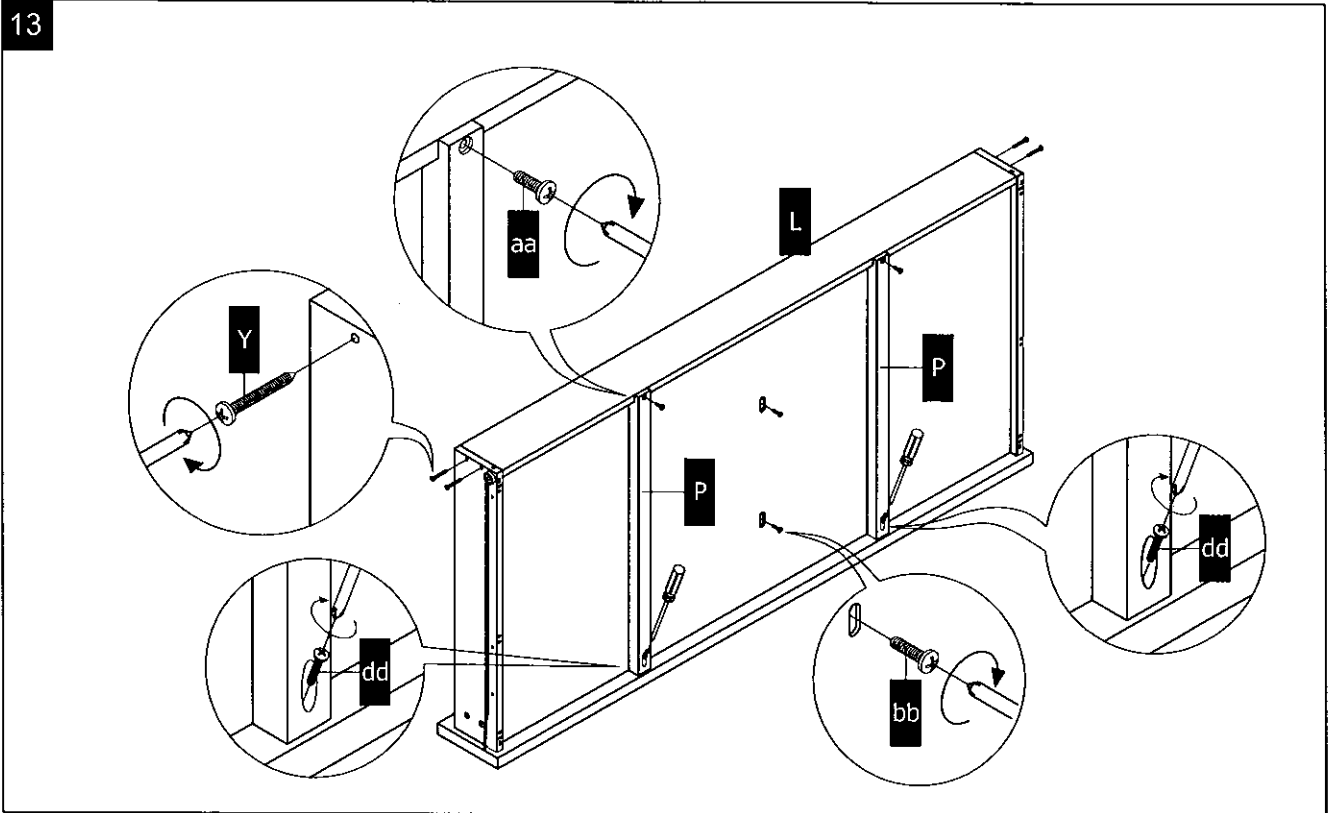


AW75018 - Campbell

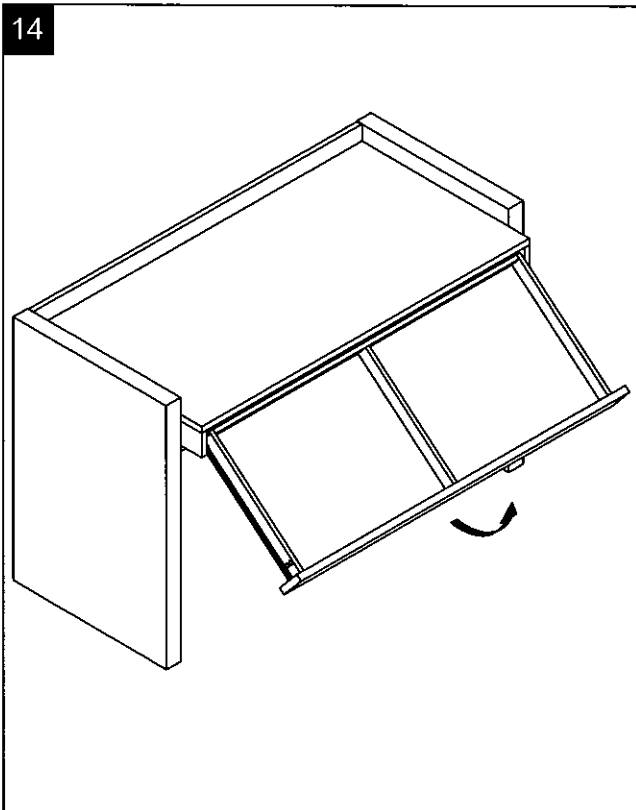




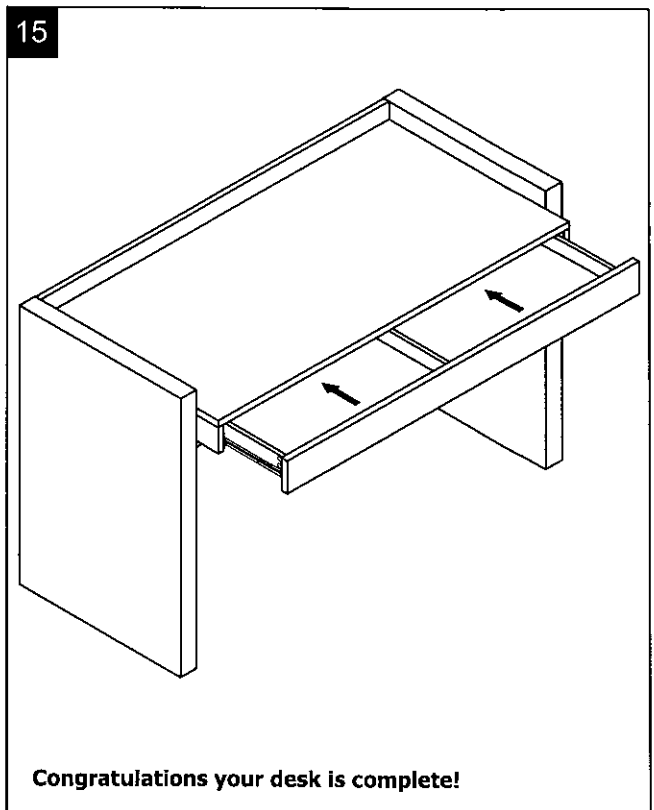
13



14



15



Congratulations your desk is complete!

IR
4/10/11

MS
6/10/11

ECR # 3205

MS : 27109M
MS