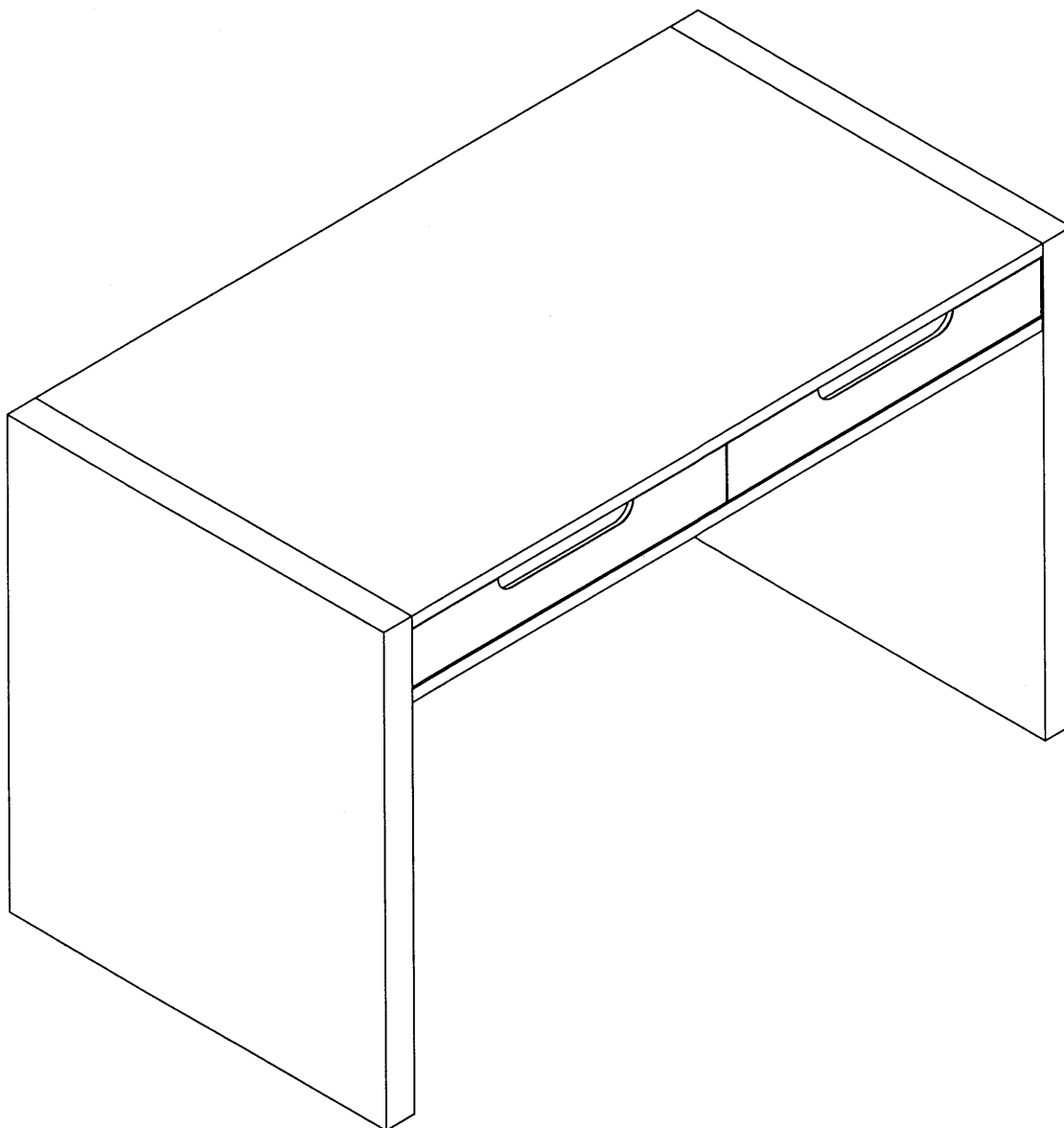


**alphason**

What's in the box, instructions, warranty & information:

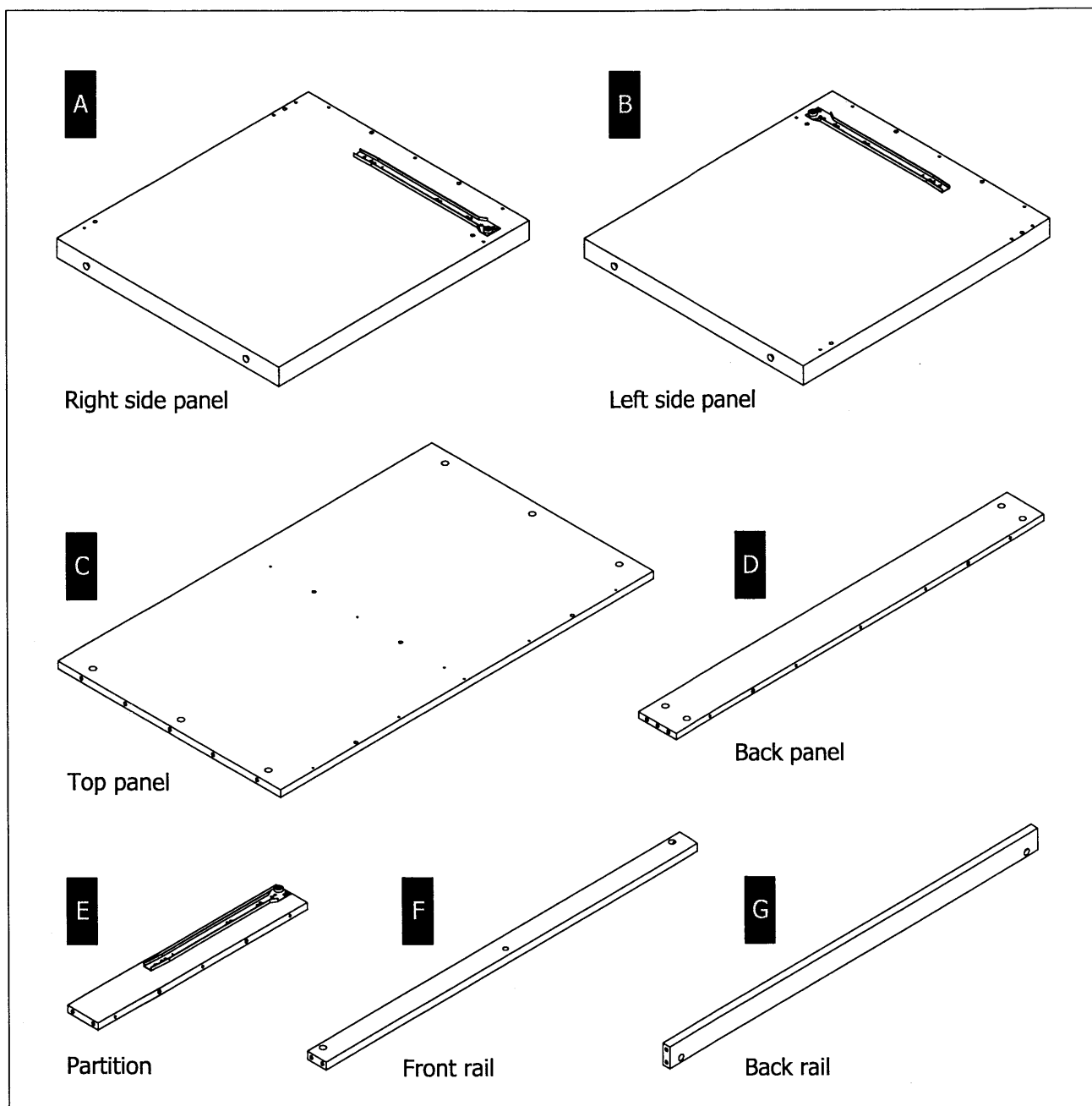
# AW75022-Butler



REFERENCE NO:

**PO25028**

Please retain this booklet as you will be asked to quote this number for any warranty or product related queries



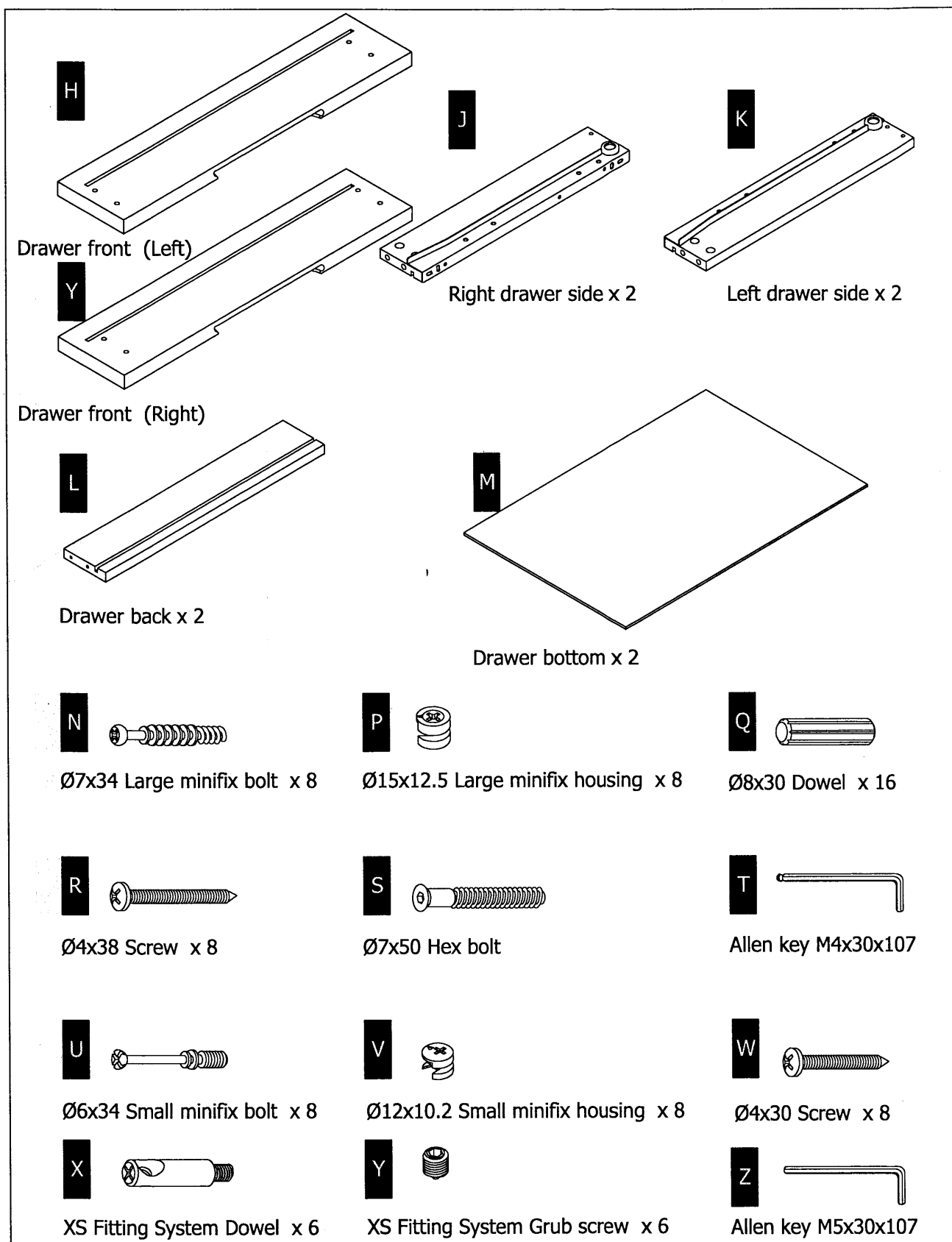
### IMPORTANT INFORMATION

- 1) Before starting assembly please take time to familiarise yourself with the instructions and the components listed in this manual, as this product could be unstable if incorrectly installed.
- 2) A cross head screw driver only should be used to assemble this product, an electric drill may cause damage to the product and is not recommended.
- 3) All assembly should be performed on a flat, stable, clean and soft surface.
- 4) The fitting pack contains small items which should be kept away from young children.
- 5) In order to maintain a high quality finish, do not clean with abrasive detergents or powder. Please use a soft lint free cloth.
- 6) DO NOT OVERTIGHTEN ANY PART OF THIS ASSEMBLY

Please Note: Total maximum load for this unit should not exceed 60Kg. This unit must be assembled in accordance with these assembly instructions.

Alphason Designs Ltd. accepts no liability for any damage caused by the incorrect or inappropriate use of this instruction leaflets.

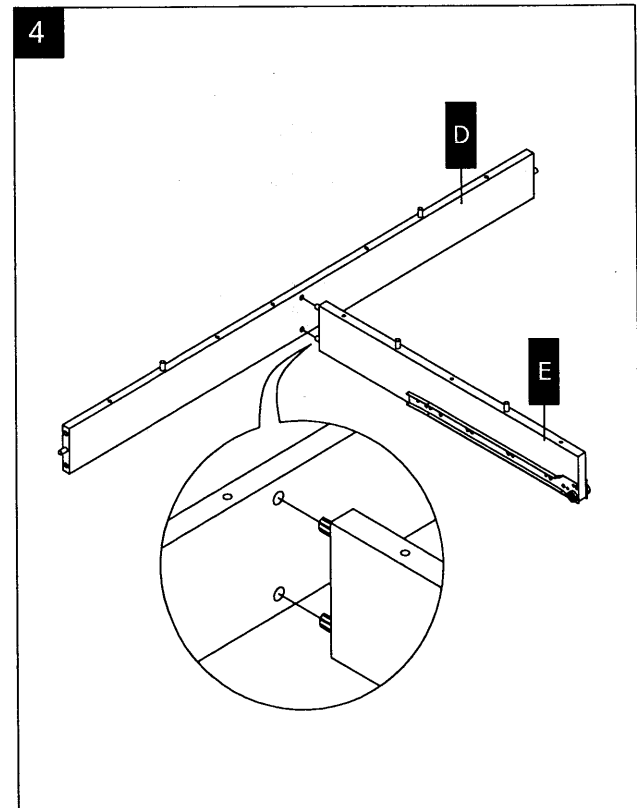
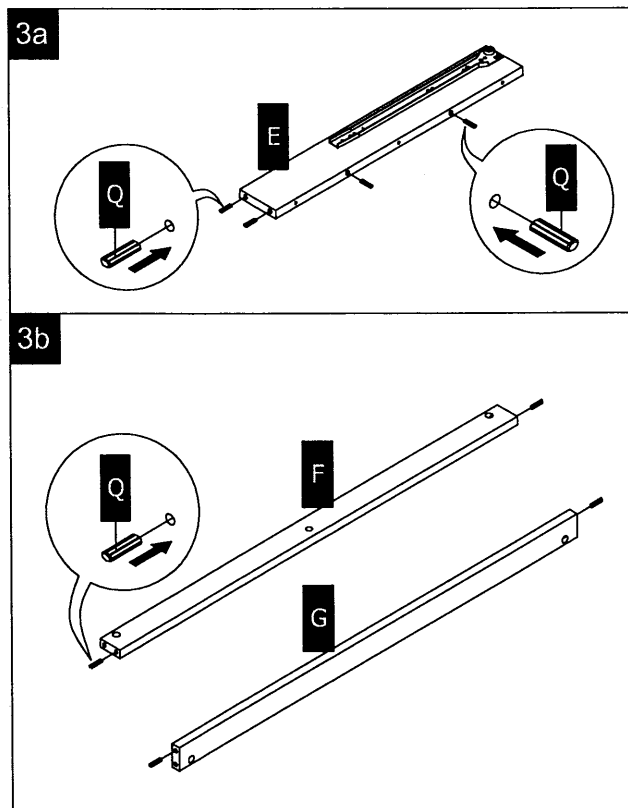
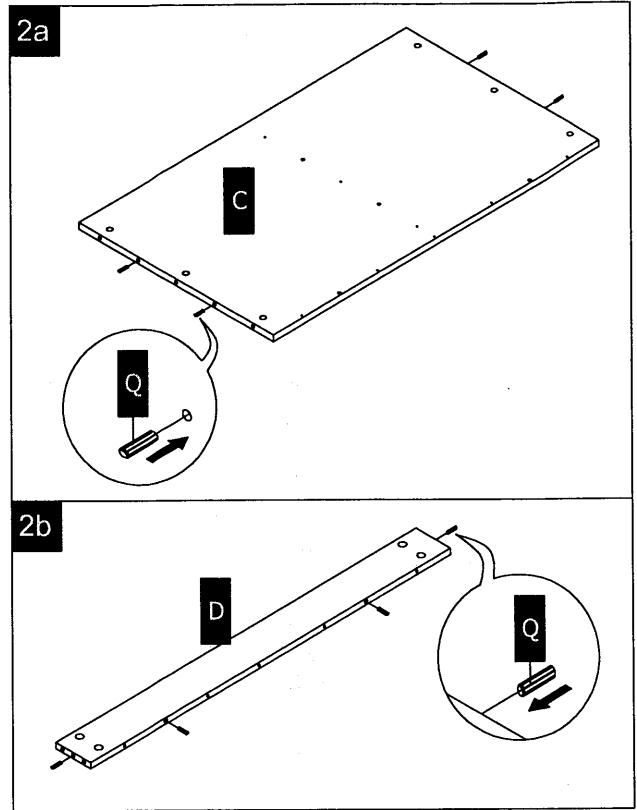
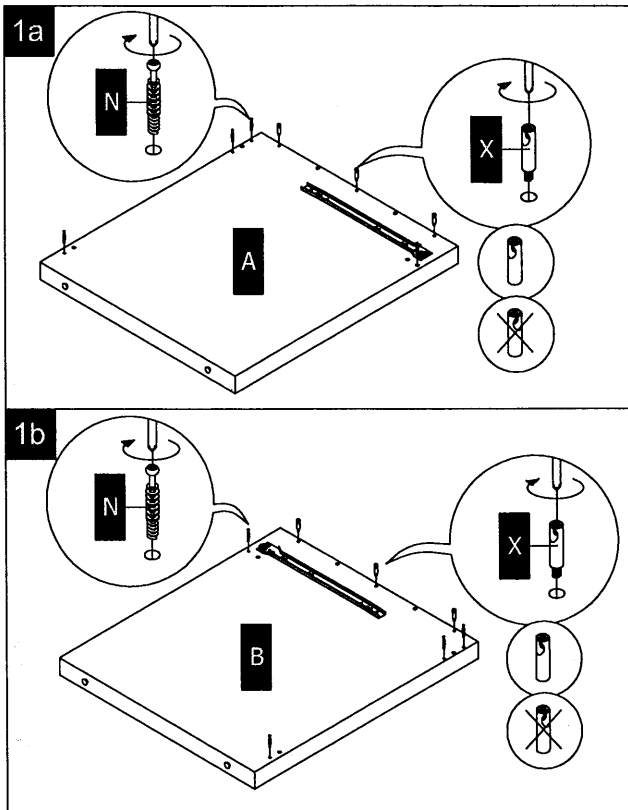
## AW75022-Butler



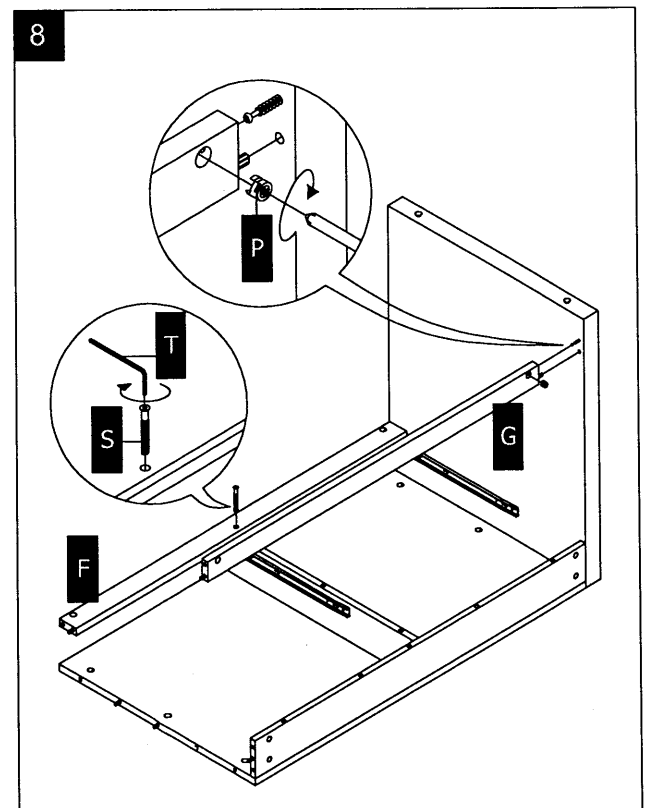
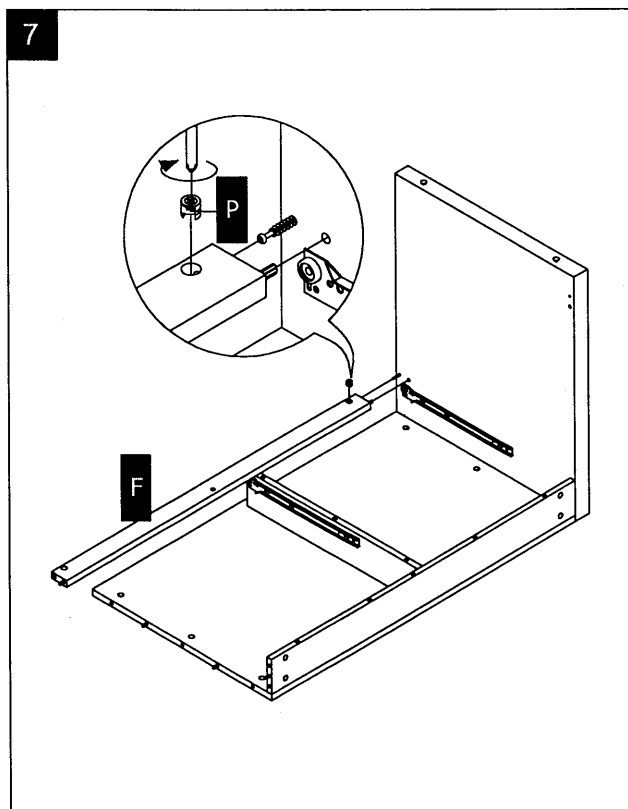
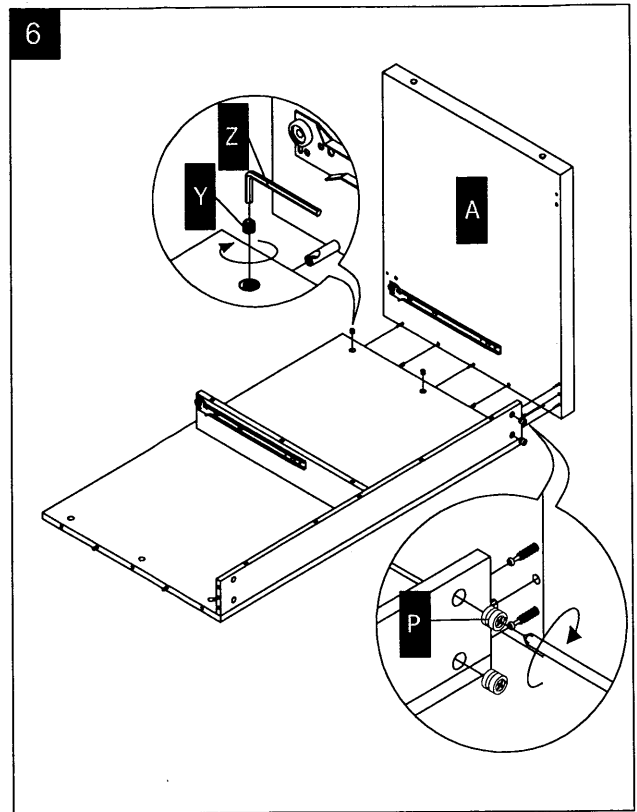
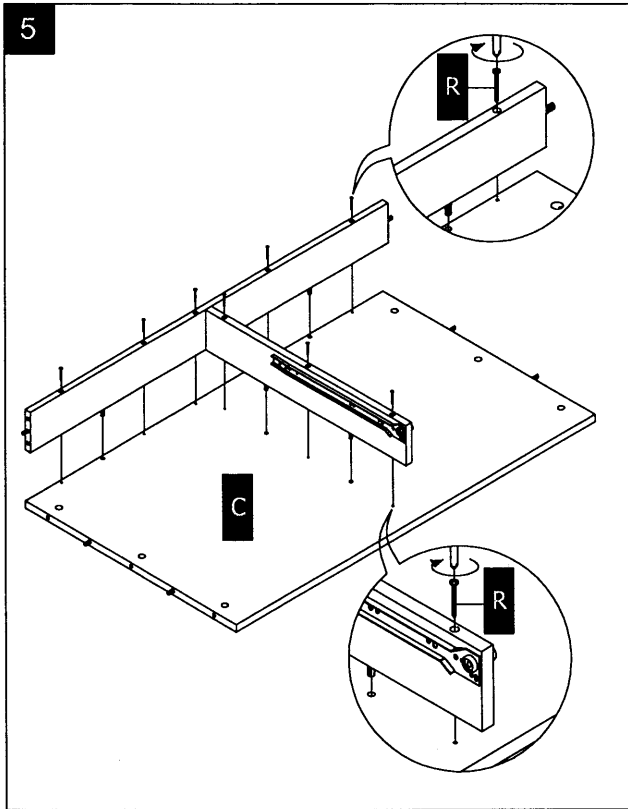
# alphason

Assembly instructions and warranty information for model number:

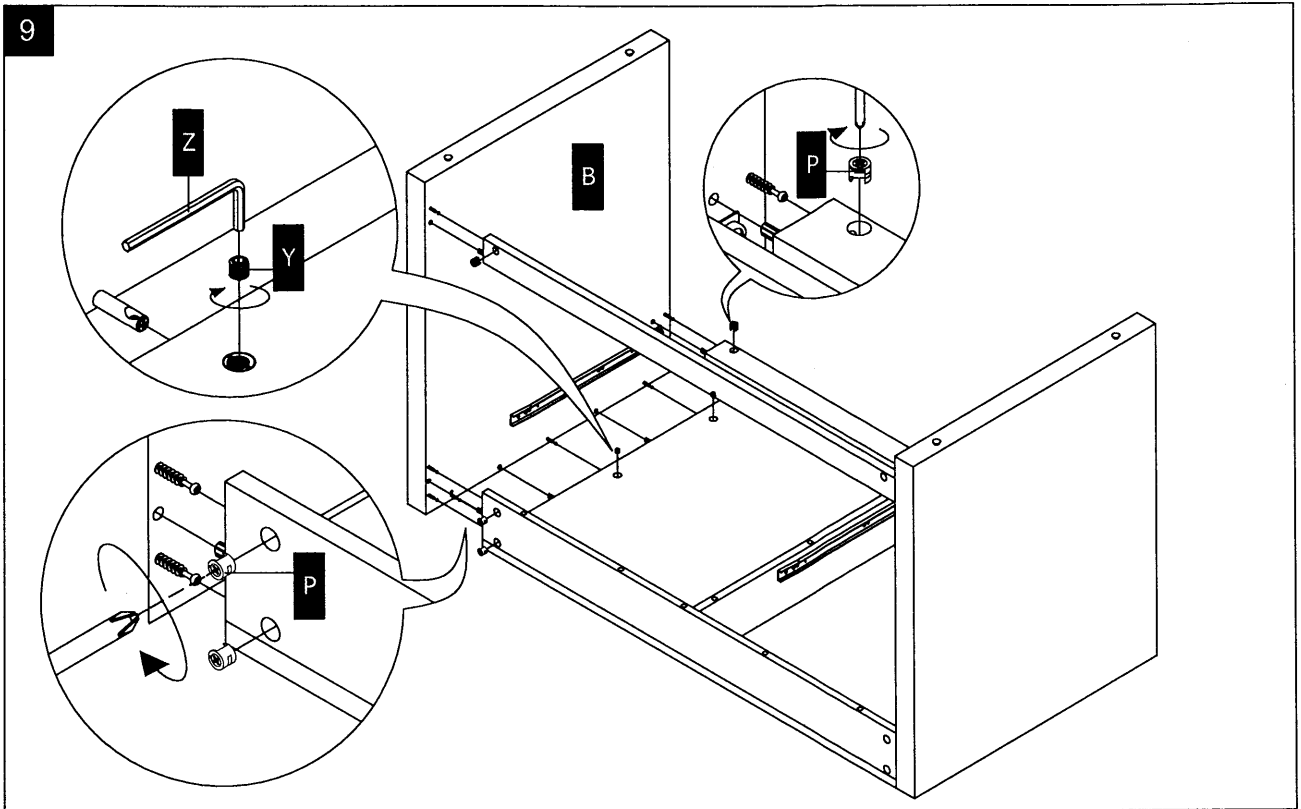
## AW75022-Butler



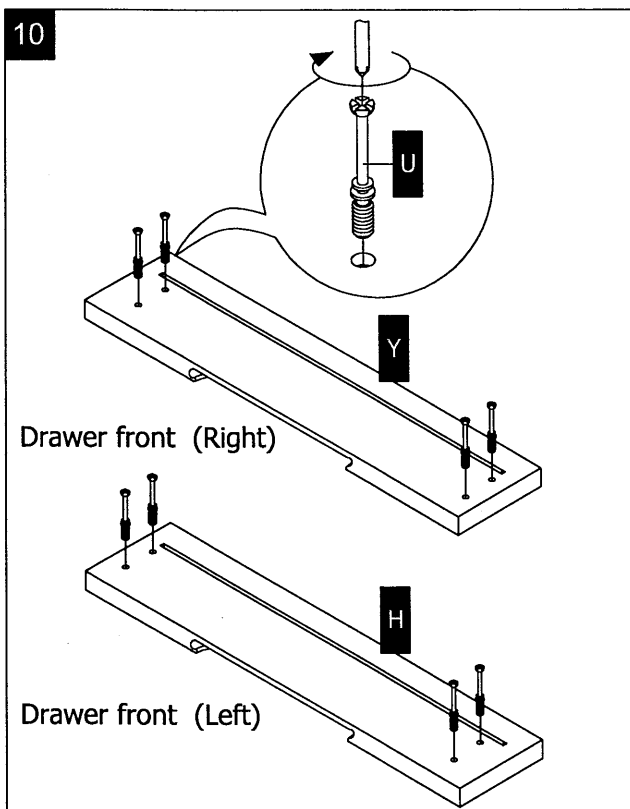
## AW75022-Butler



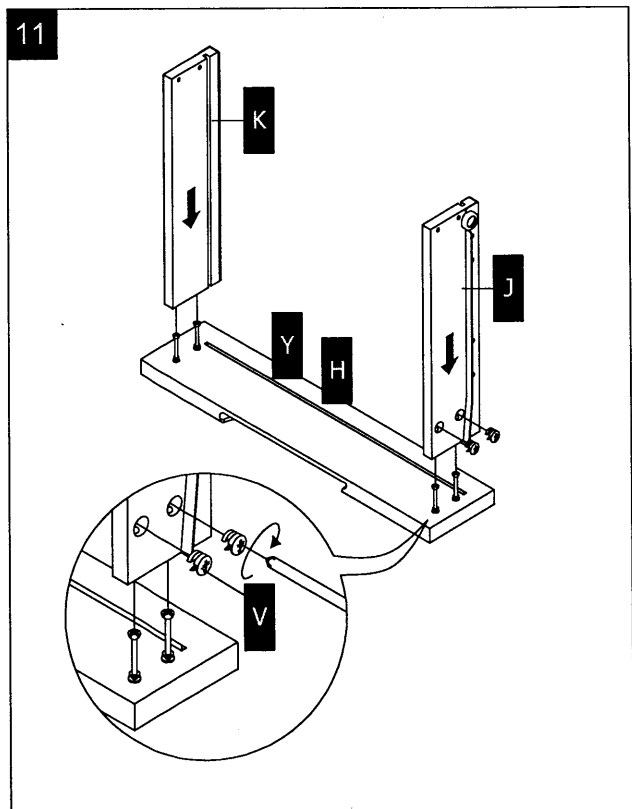
9

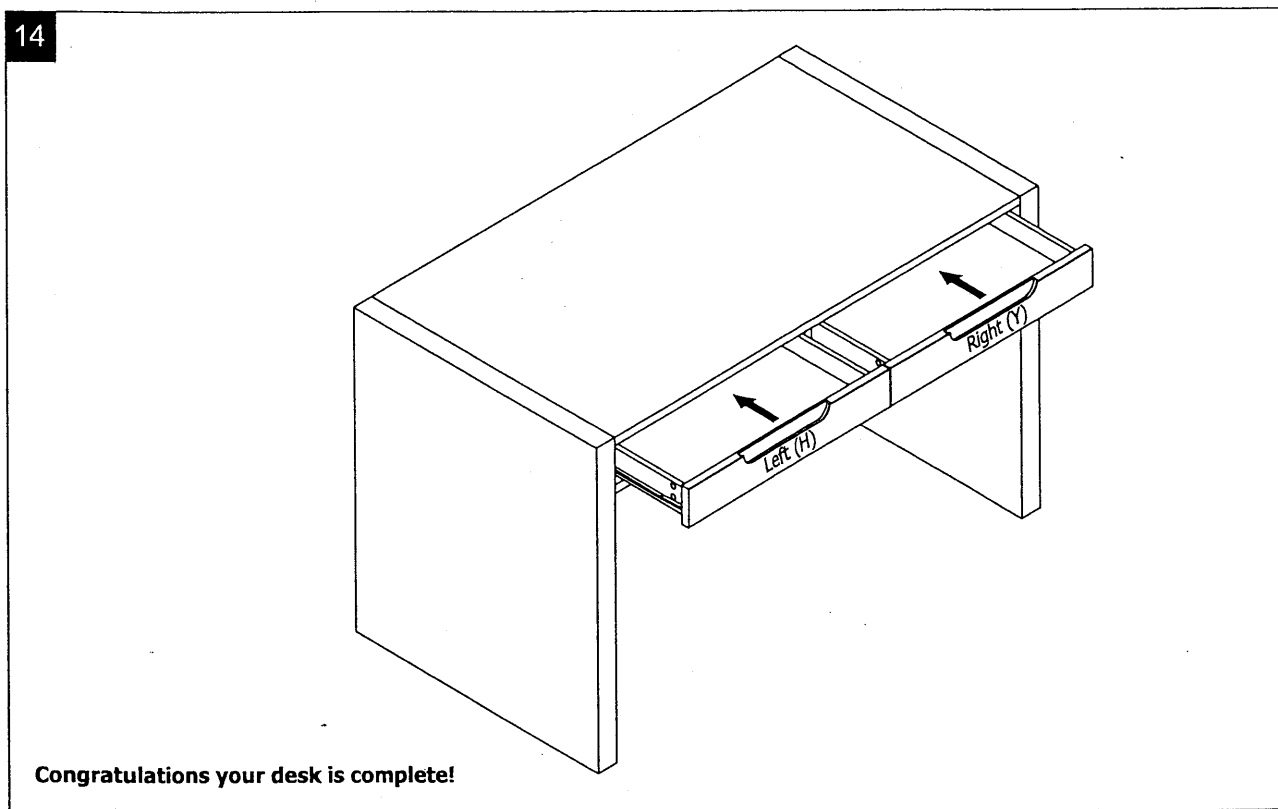
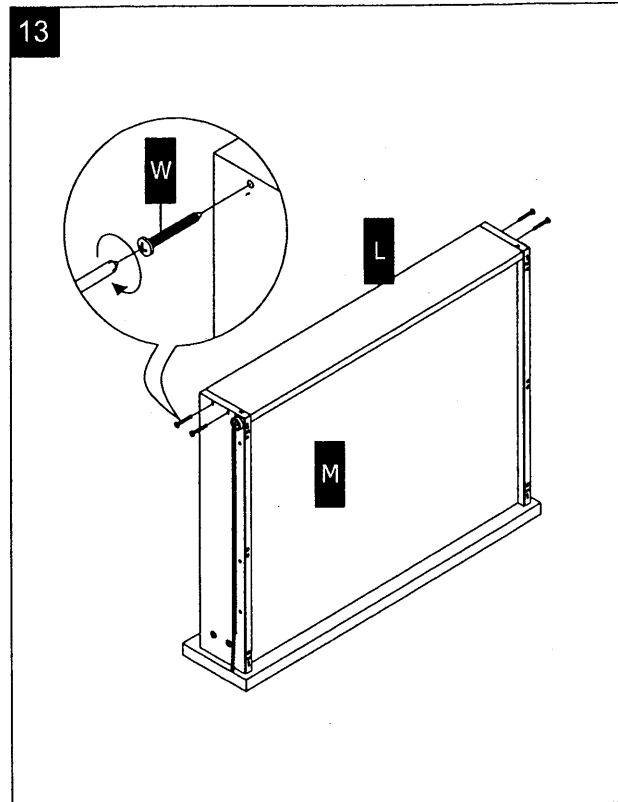
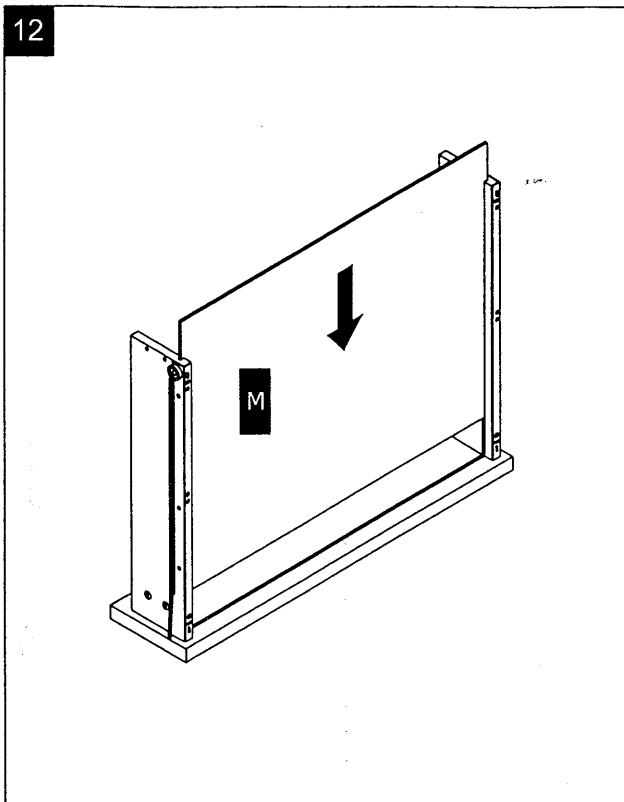


10



11





ECR # IW 5465

7  
1A  
28/7/13

W  
9/8/13