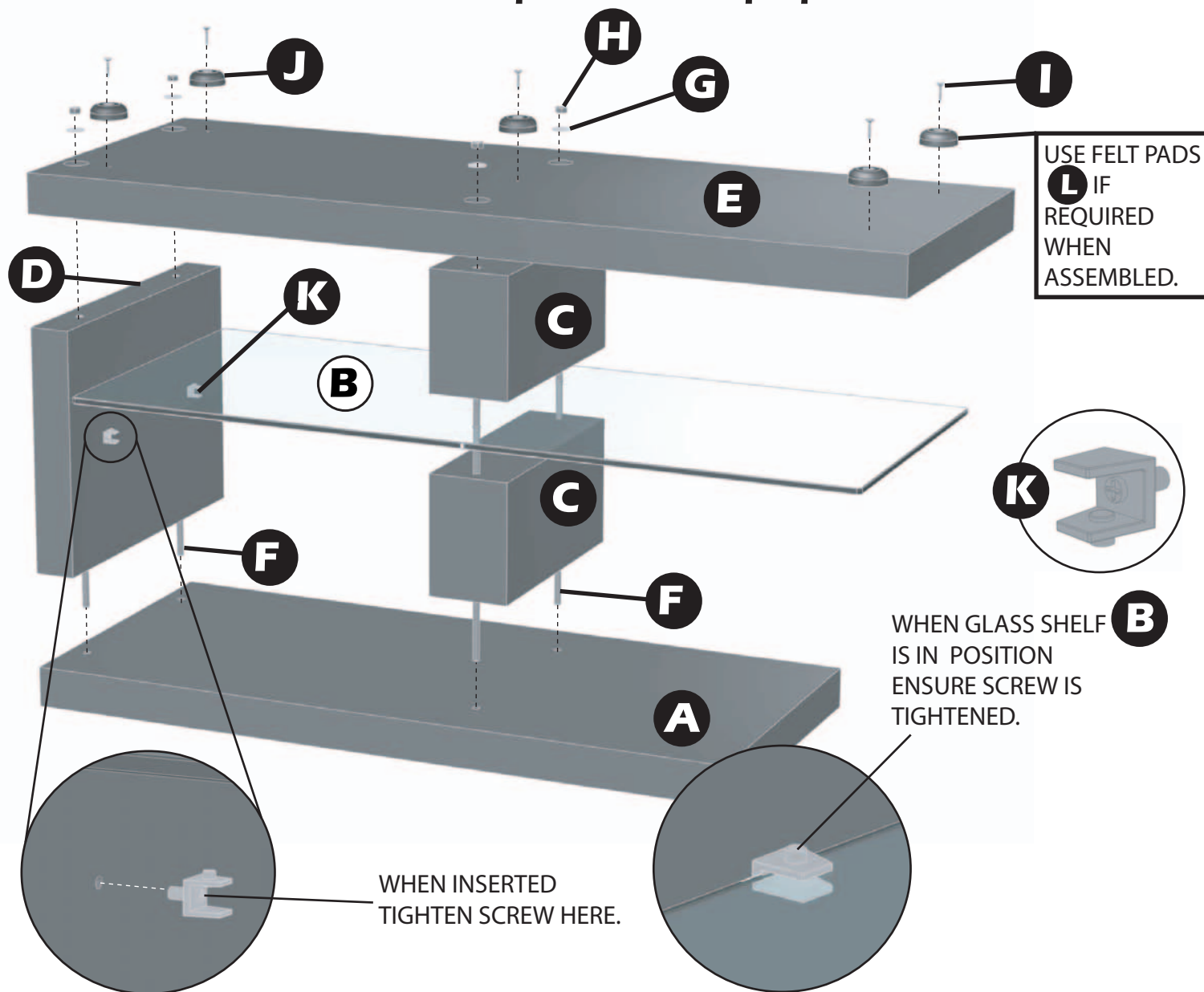


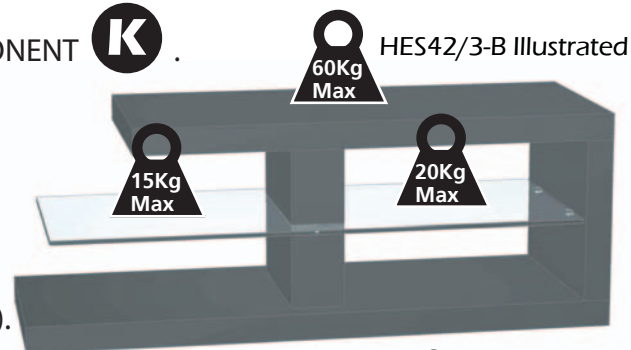
MODEL: HES42/3-O & HES42/3-B

Contemporary support for up to 42" screens plus AV equipment















- TAKE CARE WHEN ASSEMBLING COMPONENT **B** IN TO COMPONENT **K**.
- THIS SUPPORT SHOULD BE ASSEMBLED UPSIDE DOWN ON A CLEAN, FLAT SURFACE TO AVOID DAMAGE.
- WHEN ASSEMBLY FINISHED PLACE UNIT ON GLIDES.
- DO NOT PLACE VERY HOT OR VERY COLD ITEMS ON THE GLASS, AND DO NOT STRIKE WITH HARD OR POINTED ITEMS.
- MAX. SAFE SHELF LOADING:
TOP 60kg: SHELF 20kg (supported side), 15Kg (unsupported side).

Victoria Mill,
Atherton,
Greater Manchester, M46 9AW, UK.
HELPLINE - 01942 885600



MODEL: HES42/3-O & HES42/3-B
Contemporary support for up to
42" screens plus AV equipment

COMPONENT LIST

- A**  **x1**
- B**  **x1**
- C**  **x2**
- D**  **x1**
- E**  **x1**
- F**  **x4**
- G**  **x4**
- H**  **x4**
- I**  **x5**
- J**  **x5**
- K**  **x2**
- L**  **x5**

Please fix felt pads **L** to bottom
of component **J** if required.